

ELEC OPTIONS LIST

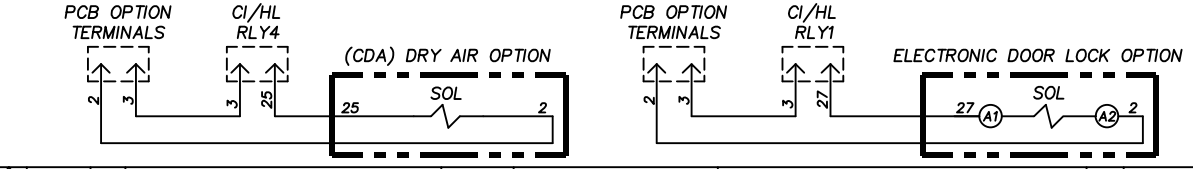
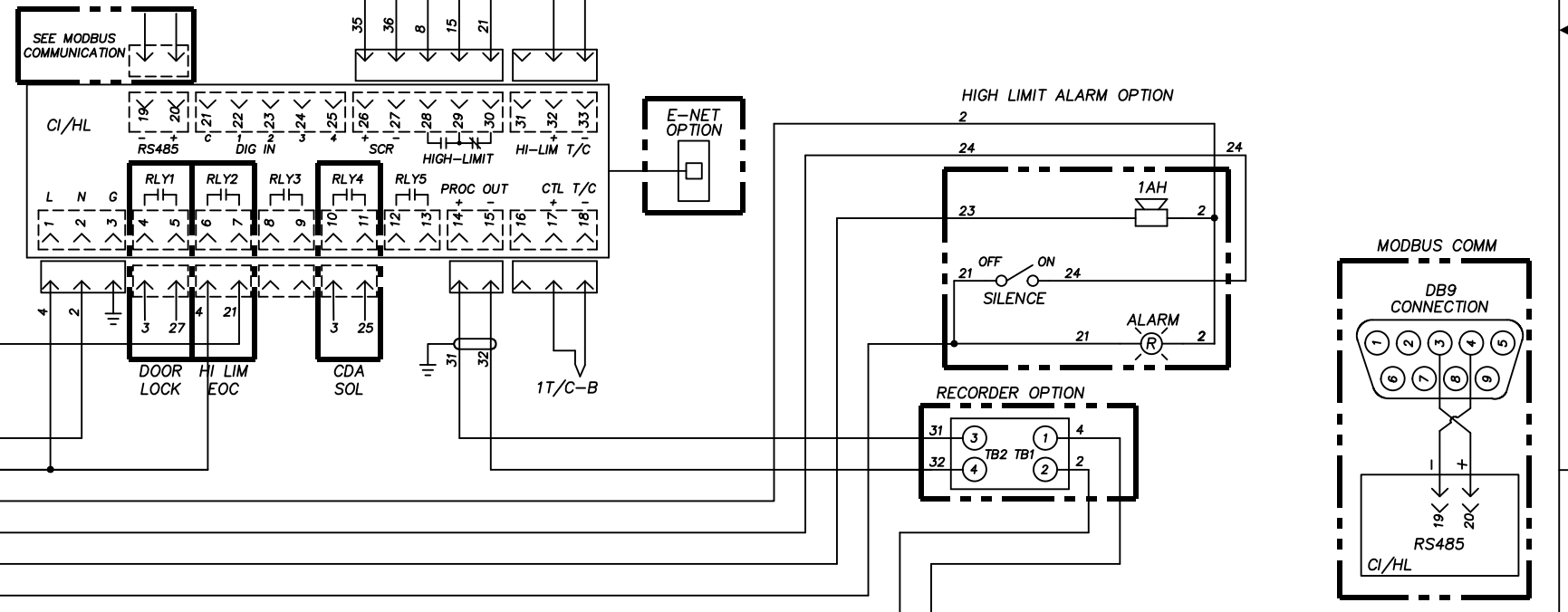
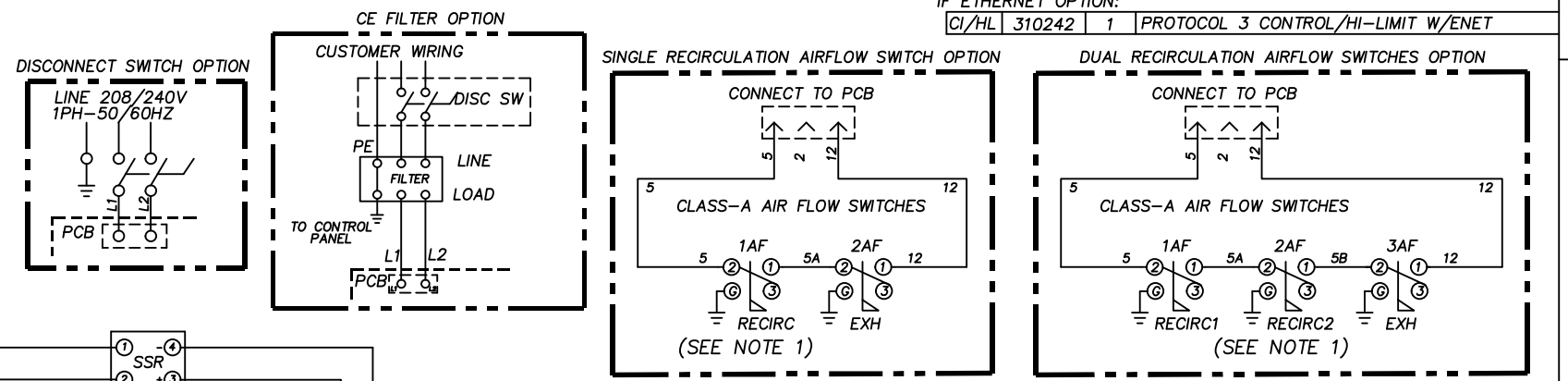
PART #	DESCRIPTION
325896	HIGH-LIMIT/END OF CYCLE ALARM
325897	CE OPTION
325898	DISC SWITCH OPTION
325903	ELECTRONIC DOOR LOCK OPTION
325902	DOOR SWITCH (HEATER AND FAN)
325904	ELECTRONIC DOOR LOCK/SWITCH
325908	(CDA) DRY AIR OPTION
325906	CHART RECORDER MRC 5000

MATERIAL LIST

ITEM	PART #	QTY	DESCRIPTION
CI/HL	310217	1	DESPATCH PROTOCOL3 CONTROL/HI-LIMIT
1T/C	340595	1	JJ38004E-302.5-16Z-25048-2(5) T/C
HTR	325884	1	LAC-8 HEATER AY, 4.8kW 208V/240V
1,2M	141828	2	00.25 HP MOTOR
3M	098365	2	FAN ASSEMBLY
1,4F	VARIOUS	2	SEE PAGE 2
2,3F	VARIOUS	2	SEE PAGE 2
1,2CR	ON PCB		30A DPST RELAY 240V COIL
TDR	141803	1	TIME DELAY RELAY
SSR	057345	1	30A SOLID STATE RELAY
J3	159156	1	TERM BLOCK JUMPER PHZSE4188
PCB	274318	1	CIRCUIT BOARD ASSEMBLY 240V
1SW	140097	1	SWITCH DPST 5AMP
CF	015229	1	CABINET COOLING FAN 240V
IF ETHERNET OPTION:			
CI/HL	310242	1	PROTOCOL 3 CONTROL/HI-LIMIT W/ENET

NOTE 1:
REMOVE J1 AND J5 FOR CLASS A OPERATION.

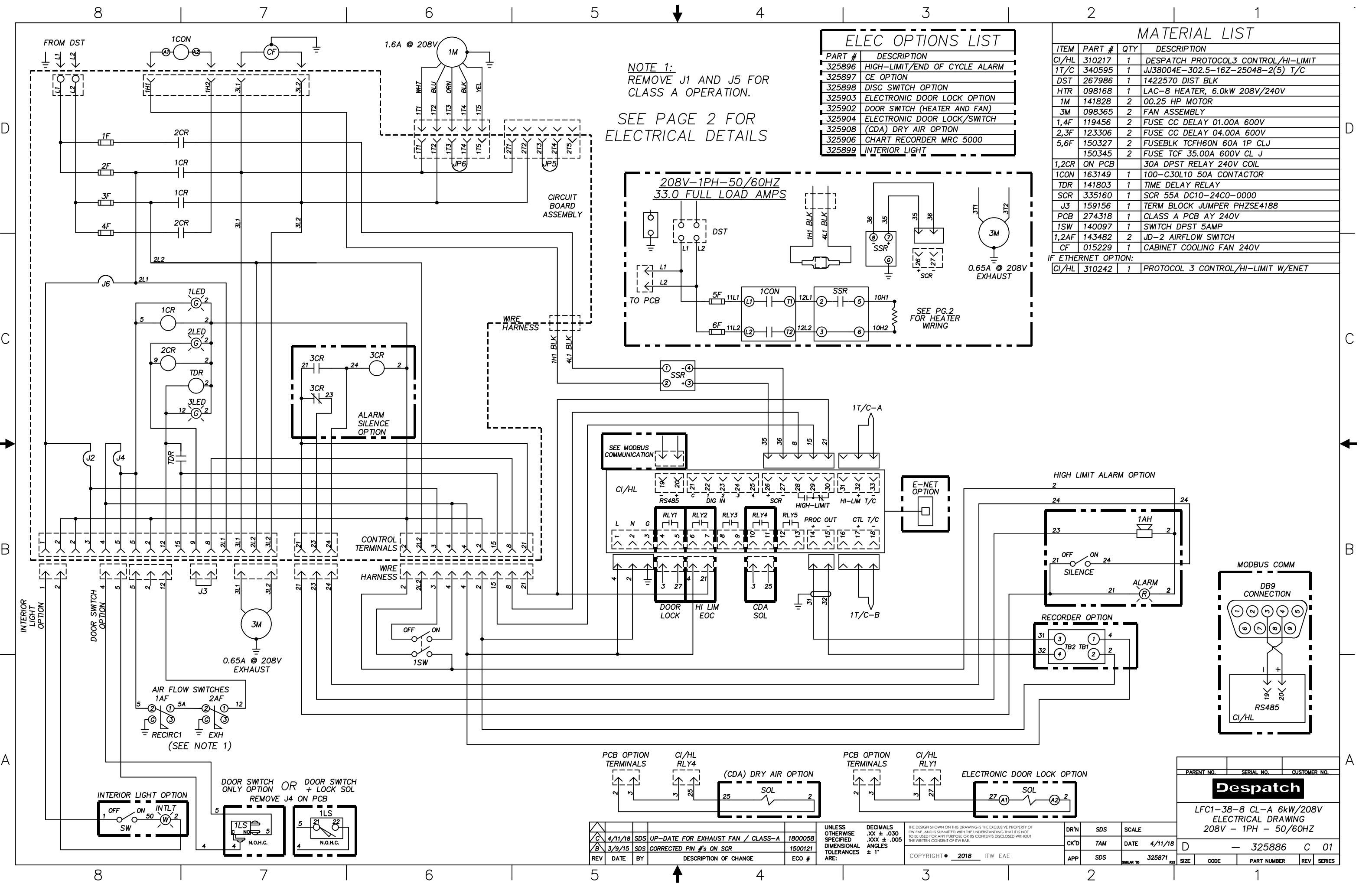
SEE PAGE 2 FOR ELECTRICAL DETAILS



REV	DATE	BY	DESCRIPTION OF CHANGE	ECO #	UNLESS OTHERWISE SPECIFIED DIMENSIONAL TOLERANCES ARE:	DECIMALS .XX ± .030 .XXX ± .005	ANGLES ± 1°	DR'N	SDS	SCALE
A	4/11/18	SDS	UP-DATE FOR EXHAUST FAN / CLASS-A	1800058						
E	1/19/18	TAM	UP-DATE ITEM PCB	1800008						
D	9/14/17	TAM	ADD DUAL REC AFS OPTION	N/A						

DR'N	SDS	SCALE	DR'N	SDS	SCALE
CK'D	TAM	DATE 4/11/18	CK'D	TAM	DATE 4/11/18
APP	SDS	SIMILAR TO 325886	APP	SDS	SIMILAR TO 325886

PARENT NO.	SERIAL NO.	CUSTOMER NO.
Despatch		
LFC1-38-8 CL-A ELEC DWG ELECTRICAL DRAWING 208/240V - 1PH - 50/60HZ		
D	325871	F 01
SIZE	CODE	PART NUMBER

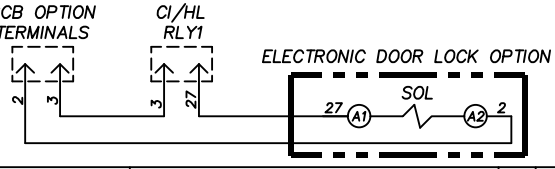
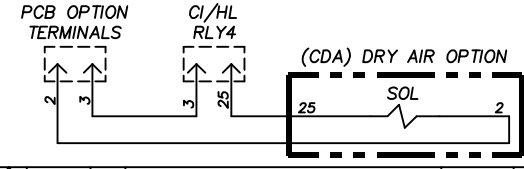
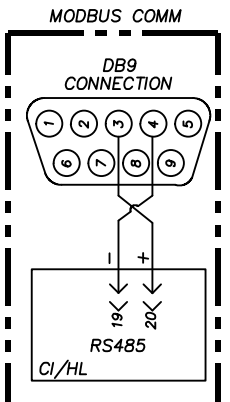
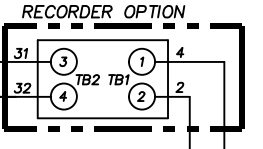
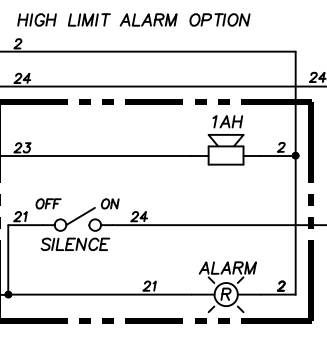
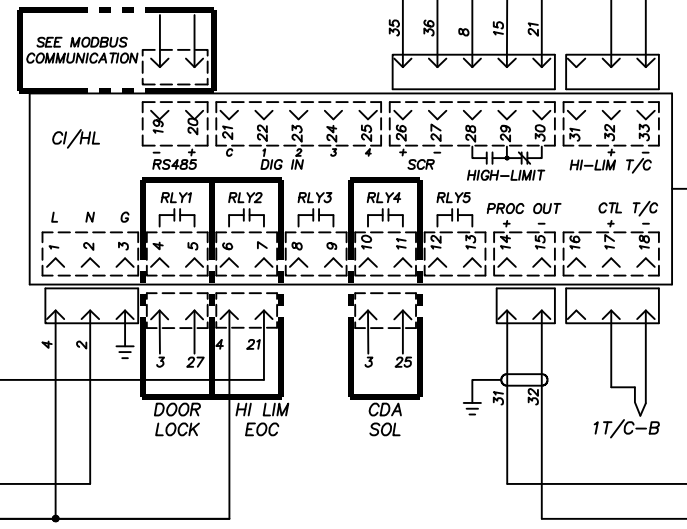
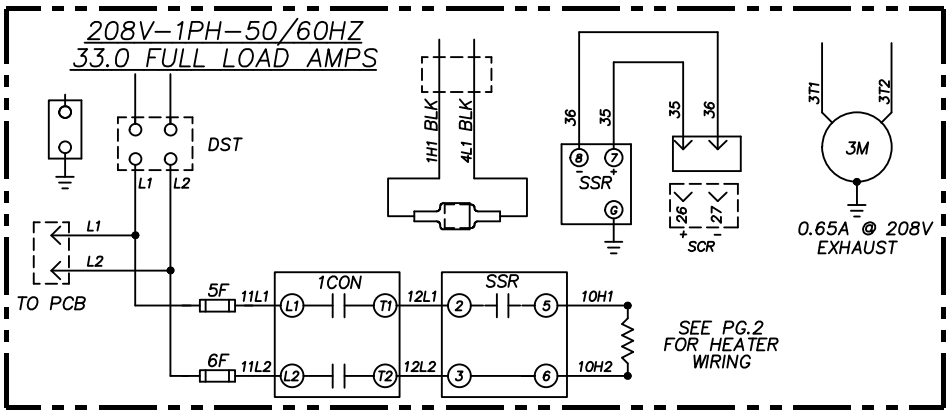


NOTE 1:
REMOVE J1 AND J5 FOR
CLASS A OPERATION.

SEE PAGE 2 FOR
ELECTRICAL DETAILS

ELEC OPTIONS LIST	
PART #	DESCRIPTION
325896	HIGH-LIMIT/END OF CYCLE ALARM
325897	CE OPTION
325898	DISC SWITCH OPTION
325903	ELECTRONIC DOOR LOCK OPTION
325902	DOOR SWITCH (HEATER AND FAN)
325904	ELECTRONIC DOOR LOCK/SWITCH
325908	(CDA) DRY AIR OPTION
325906	CHART RECORDER MRC 5000
325899	INTERIOR LIGHT

MATERIAL LIST			
ITEM	PART #	QTY	DESCRIPTION
CI/HL	310217	1	DESPATCH PROTOCOL3 CONTROL/HI-LIMIT
1T/C	340595	1	JJ38004E-302.5-16Z-25048-2(5) T/C
DST	267986	1	1422570 DIST BLK
HTR	098168	1	LAC-8 HEATER, 6.0kW 208V/240V
1M	141828	2	00.25 HP MOTOR
3M	098365	2	FAN ASSEMBLY
1,4F	119456	2	FUSE CC DELAY 01.00A 600V
2,3F	123306	2	FUSE CC DELAY 04.00A 600V
5,6F	150327	2	FUSEBLK TCFH60N 60A 1P CLJ
	150345	2	FUSE TCF 35.00A 600V CL J
1,2CR	ON PCB		30A DPST RELAY 240V COIL
1CON	163149	1	100-C30L10 50A CONTACTOR
TDR	141803	1	TIME DELAY RELAY
SCR	335160	1	SCR 55A DC10-24CO-0000
J3	159156	1	TERM BLOCK JUMPER PHZSE4188
PCB	274318	1	CLASS A PCB AY 240V
1SW	140097	1	SWITCH DPST 5AMP
1,2AF	143482	2	JD-2 AIRFLOW SWITCH
CF	015229	1	CABINET COOLING FAN 240V
IF ETHERNET OPTION:			
CI/HL	310242	1	PROTOCOL 3 CONTROL/HI-LIMIT W/ENET



REV	DATE	BY	DESCRIPTION OF CHANGE	ECO #
C	4/11/18	SDS	UP-DATE FOR EXHAUST FAN / CLASS-A	1800058
B	3/9/15	SDS	CORRECTED PIN #'S ON SCR	1500121

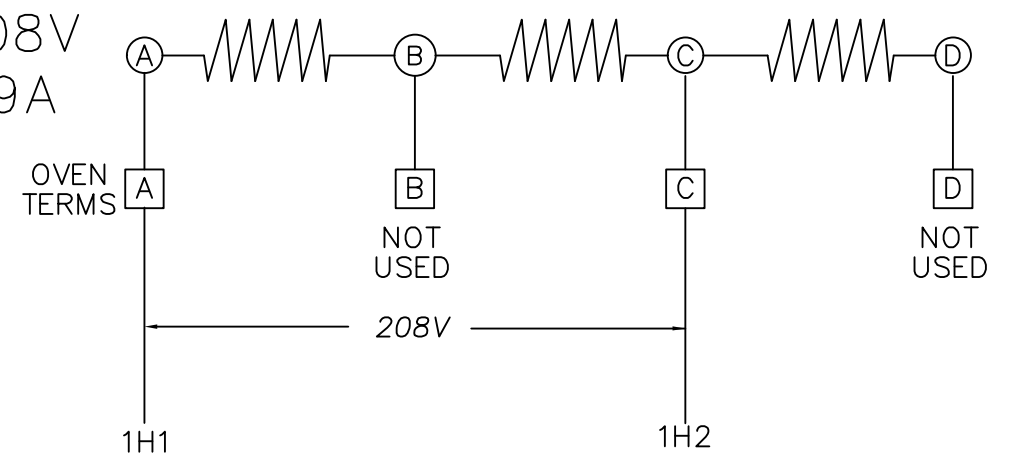
UNLESS OTHERWISE SPECIFIED DIMENSIONAL TOLERANCES ARE:
 DECIMALS .XX ± .030
 .XXX ± .005
 ANGLES ± 1°
 THE DESIGN SHOWN ON THIS DRAWING IS THE EXCLUSIVE PROPERTY OF ITW EAE AND IS SUBMITTED WITH THE UNDERSTANDING THAT IT IS NOT TO BE USED FOR ANY PURPOSE OR IN ITS CONTENTS DISCLOSED WITHOUT THE WRITTEN CONSENT OF ITW EAE.
 COPYRIGHT © 2018 ITW EAE

DR'N	SDS	SCALE
CK'D	TAM	DATE 4/11/18
APP	SDS	SIMILAR TO 325871

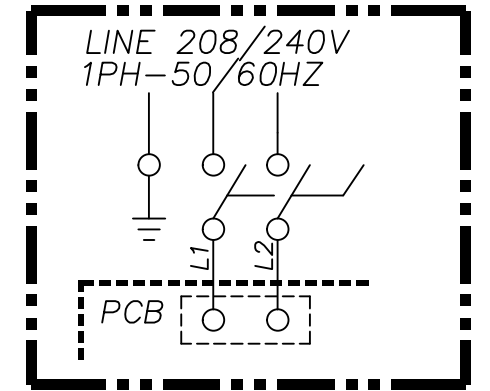
PARENT NO.	SERIAL NO.	CUSTOMER NO.		
Despatch				
LFC1-38-8 CL-A 6kW/208V ELECTRICAL DRAWING 208V - 1PH - 50/60HZ				
D	325886	C 01		
SIZE	CODE	PART NUMBER	REV	SERIES

HEATER WIRING

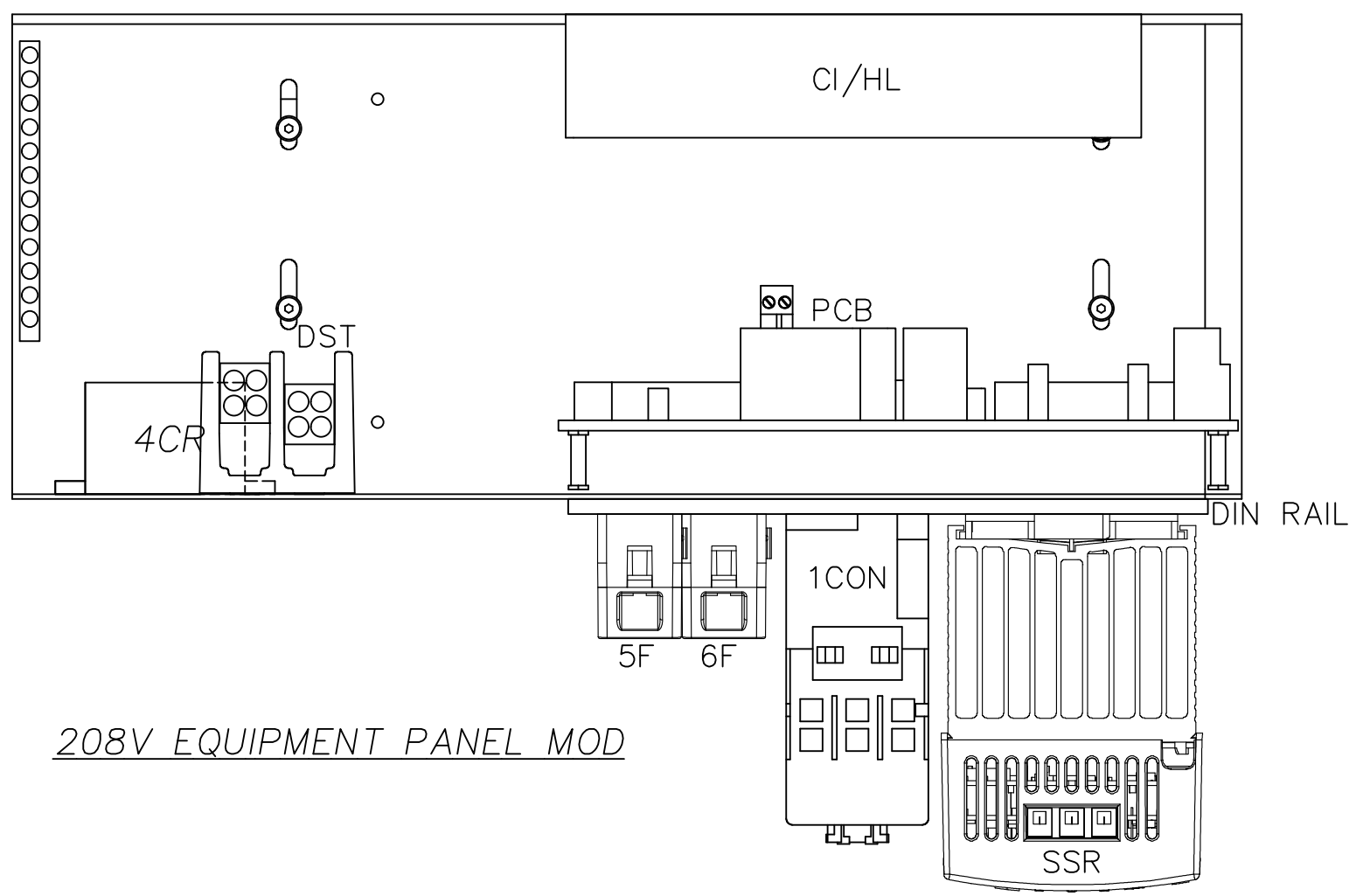
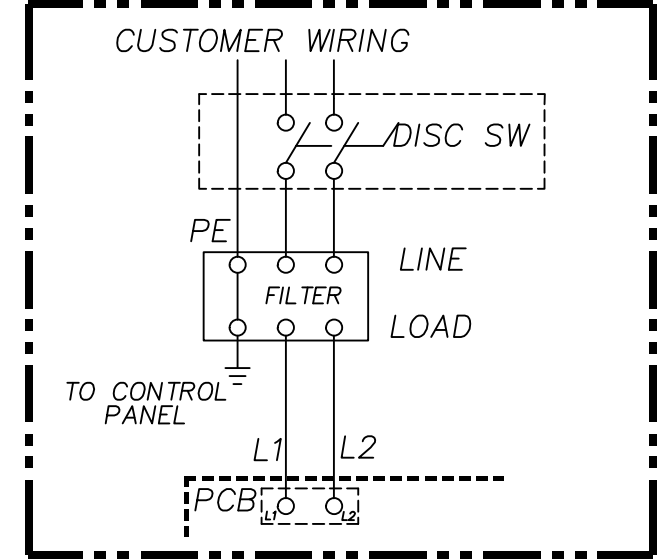
LAC1-38 208V
6.0kW 28.9A



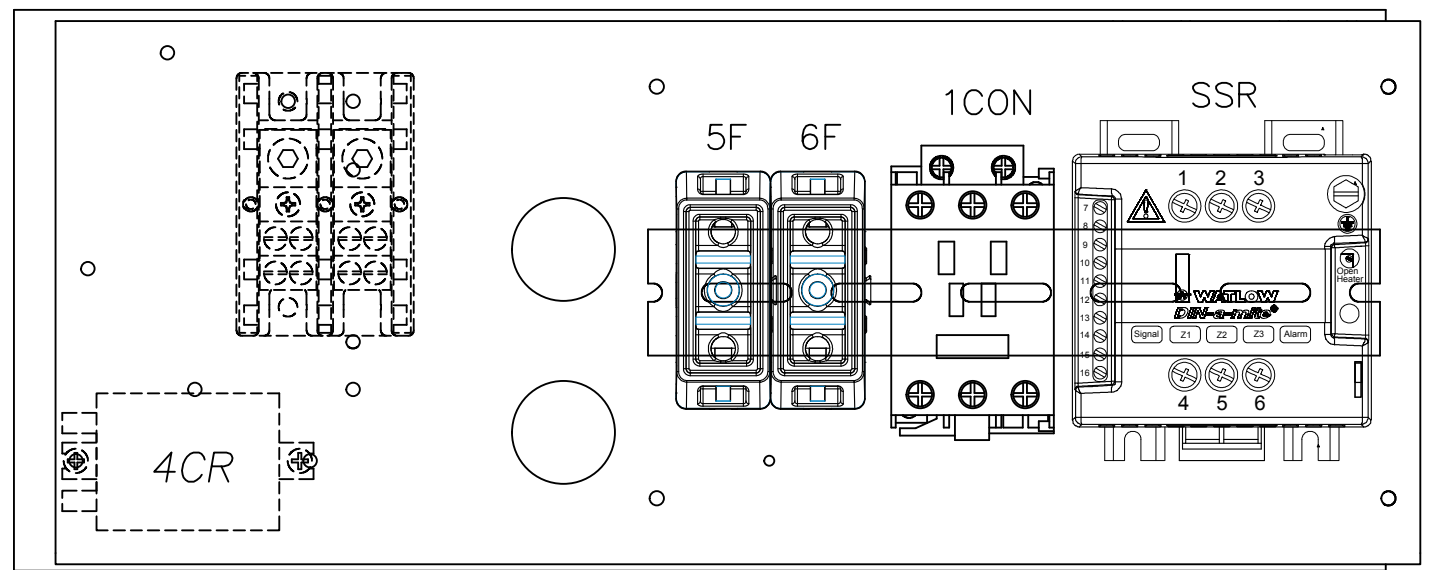
DISCONNECT SWITCH OPTION



CE FILTER OPTION



208V EQUIPMENT PANEL MOD



REV	DATE	BY	DESCRIPTION OF CHANGE	ECO #
C	4/11/18	SDS	UP-DATE FOR EXHAUST FAN / CLASS-A	180005B
B	3/9/15	SDS	NO CHANGE THIS PAGE	1500121

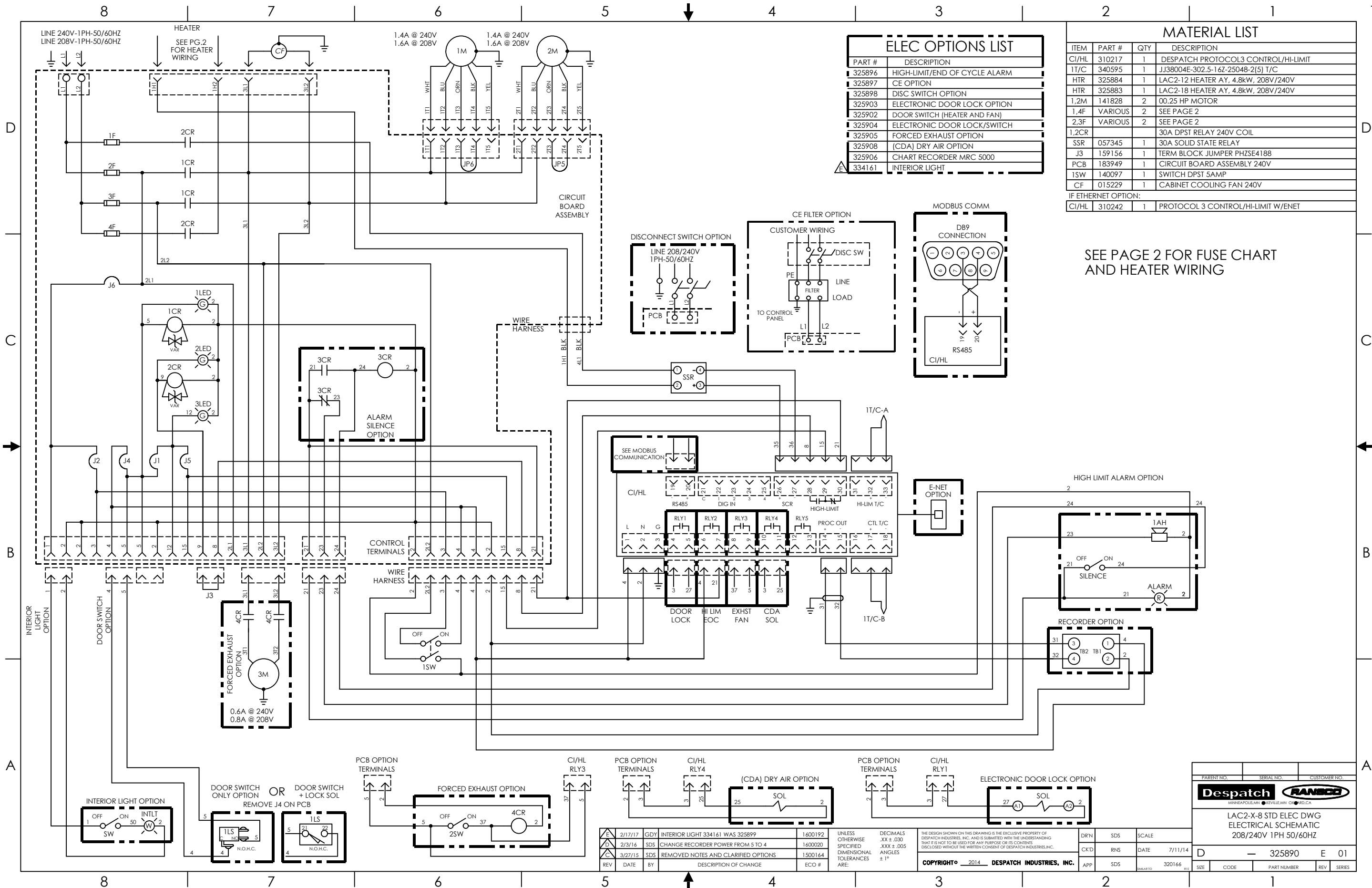
UNLESS OTHERWISE SPECIFIED DIMENSIONAL TOLERANCES ARE:
 DECIMALS .XX ± .030
 .XXX ± .005
 ANGLES ± 1°
 TOLERANCES ± 1"

THE DESIGN SHOWN ON THIS DRAWING IS THE EXCLUSIVE PROPERTY OF ITW EAE AND IS SUBMITTED WITH THE UNDERSTANDING THAT IT IS NOT TO BE USED FOR ANY PURPOSE OR IN ITS CONTENTS DISCLOSED WITHOUT THE WRITTEN CONSENT OF ITW EAE.

COPYRIGHT © 2018 ITW EAE

DR'N	SDS	SCALE
CK'D	TAM	DATE 4/11/18
APP	SDS	SIMILAR TO 325871

PARENT NO.	SERIAL NO.	CUSTOMER NO.		
Despatch				
LFC1-38-8 CL-A 6kW/208V ELECTRICAL DRAWING 208V - 1PH - 50/60HZ				
D	-	325886 C 02		
SIZE	CODE	PART NUMBER	REV	SERIES



ELEC OPTIONS LIST	
PART #	DESCRIPTION
325896	HIGH-LIMIT/END OF CYCLE ALARM
325897	CE OPTION
325898	DISC SWITCH OPTION
325903	ELECTRONIC DOOR LOCK OPTION
325902	DOOR SWITCH (HEATER AND FAN)
325904	ELECTRONIC DOOR LOCK/SWITCH
325905	FORCED EXHAUST OPTION
325908	(CDA) DRY AIR OPTION
325906	CHART RECORDER MRC 5000
334161	INTERIOR LIGHT

MATERIAL LIST			
ITEM	PART #	QTY	DESCRIPTION
CI/HL	310217	1	DESPATCH PROTOCOL3 CONTROL/HI-LIMIT
IT/C	340595	1	JJ38004E-302.5-16Z-25048-2(5) T/C
HTR	325884	1	LAC2-12 HEATER AY, 4.8kW, 208V/240V
HTR	325883	1	LAC2-18 HEATER AY, 4.8kW, 208V/240V
1,2M	141828	2	00.25 HP MOTOR
1,4F	VARIOUS	2	SEE PAGE 2
2,3F	VARIOUS	2	SEE PAGE 2
1,2CR			30A DPST RELAY 240V COIL
SSR	057345	1	30A SOLID STATE RELAY
J3	159156	1	TERM BLOCK JUMPER PHZSE4188
PCB	183949	1	CIRCUIT BOARD ASSEMBLY 240V
1SW	140097	1	SWITCH DPST 5AMP
CF	015229	1	CABINET COOLING FAN 240V
IF ETHERNET OPTION:			
CI/HL	310242	1	PROTOCOL 3 CONTROL/HI-LIMIT W/ENET

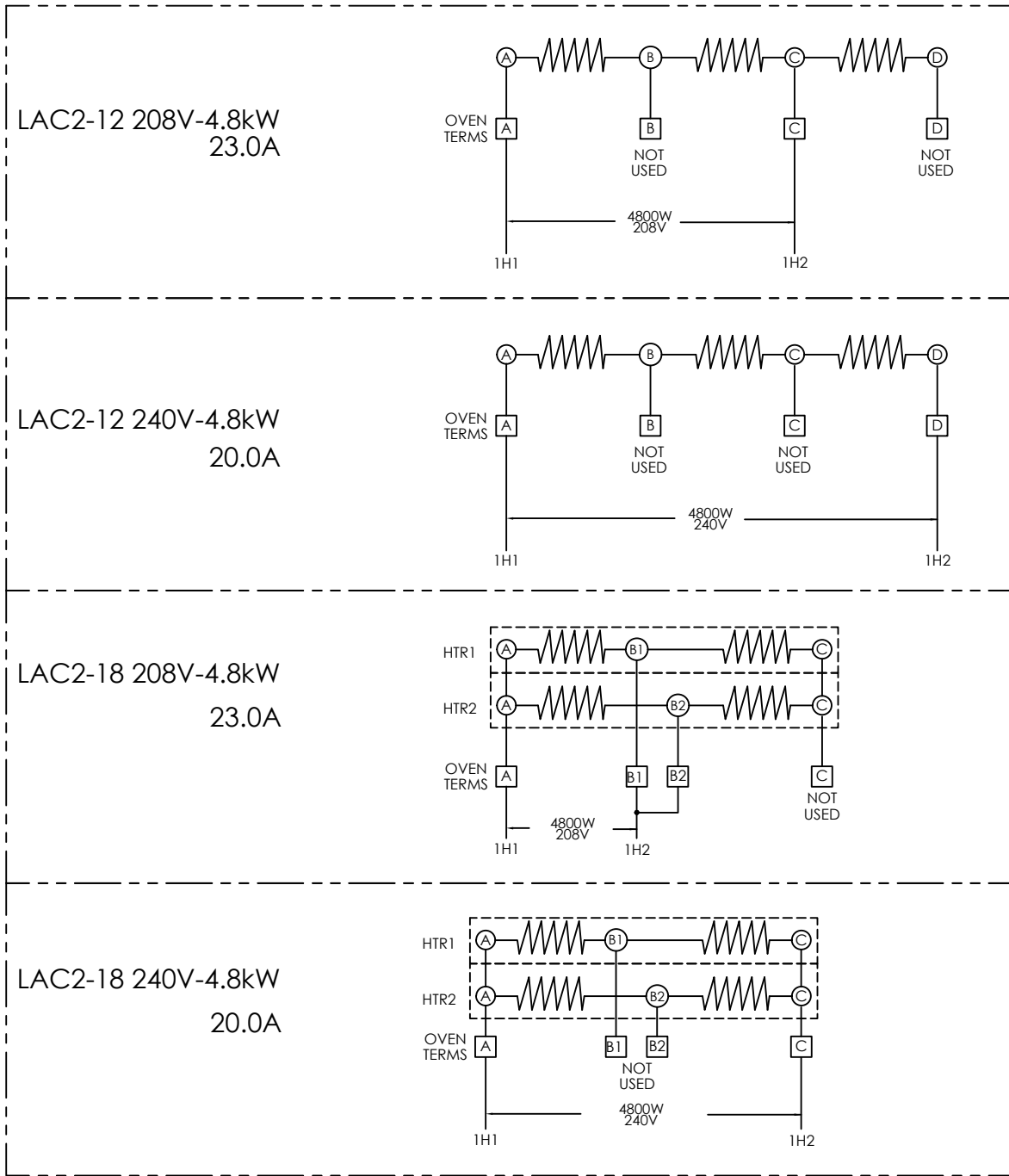
SEE PAGE 2 FOR FUSE CHART AND HEATER WIRING

REV	DATE	BY	DESCRIPTION OF CHANGE	ECO #
1	2/17/17	GDY	INTERIOR LIGHT 334161 WAS 325899	1600192
2	2/3/16	SDS	CHANGE RECORDER POWER FROM 5 TO 4	1600020
3	3/27/15	SDS	REMOVED NOTES AND CLARIFIED OPTIONS	1500164

UNLESS OTHERWISE SPECIFIED DIMENSIONAL TOLERANCES ARE:	DECIMALS	ANGLES
	.XX ± .030	XXX ± .005
	.XXX ± .005	± 1°

PARENT NO.	SERIAL NO.	CUSTOMER NO.
Despatch RANCO		
LAC2-X-8 STD ELEC DWG ELECTRICAL SCHEMATIC 208/240V 1PH 50/60HZ		
D	325890	E 01
SIZE	CODE	PART NUMBER
		REV
		SERIES

HEATER WIRING



FUSES

LAC2-X-8	STANDARD HEATER		FORCED EXHST
<u>240V MODELS</u>	<u>1F,4F</u>	<u>2F,3F</u>	<u>2F,3F</u>
LAC2-12	25A-134923	5A-125555	6A-123692
LAC2-18	25A-134923	5A-125555	6A-123692
<u>208V MODELS</u>	<u>1F,4F</u>	<u>2F,3F</u>	<u>2F,3F</u>
LAC2-12	30A-124487	5A-125555	6A-123692
LAC2-18	30A-124487	5A-125555	6A-123692

REV	DATE	BY	DESCRIPTION OF CHANGE	ECO #
2/17/17	GDY		NO CHGS THIS PAGE	1600192
2/3/16	SDS		CHANGE RECORDER POWER FROM 5 TO 4	1600020
3/27/15	SDS		NO CHANGE THIS PAGE	1500164

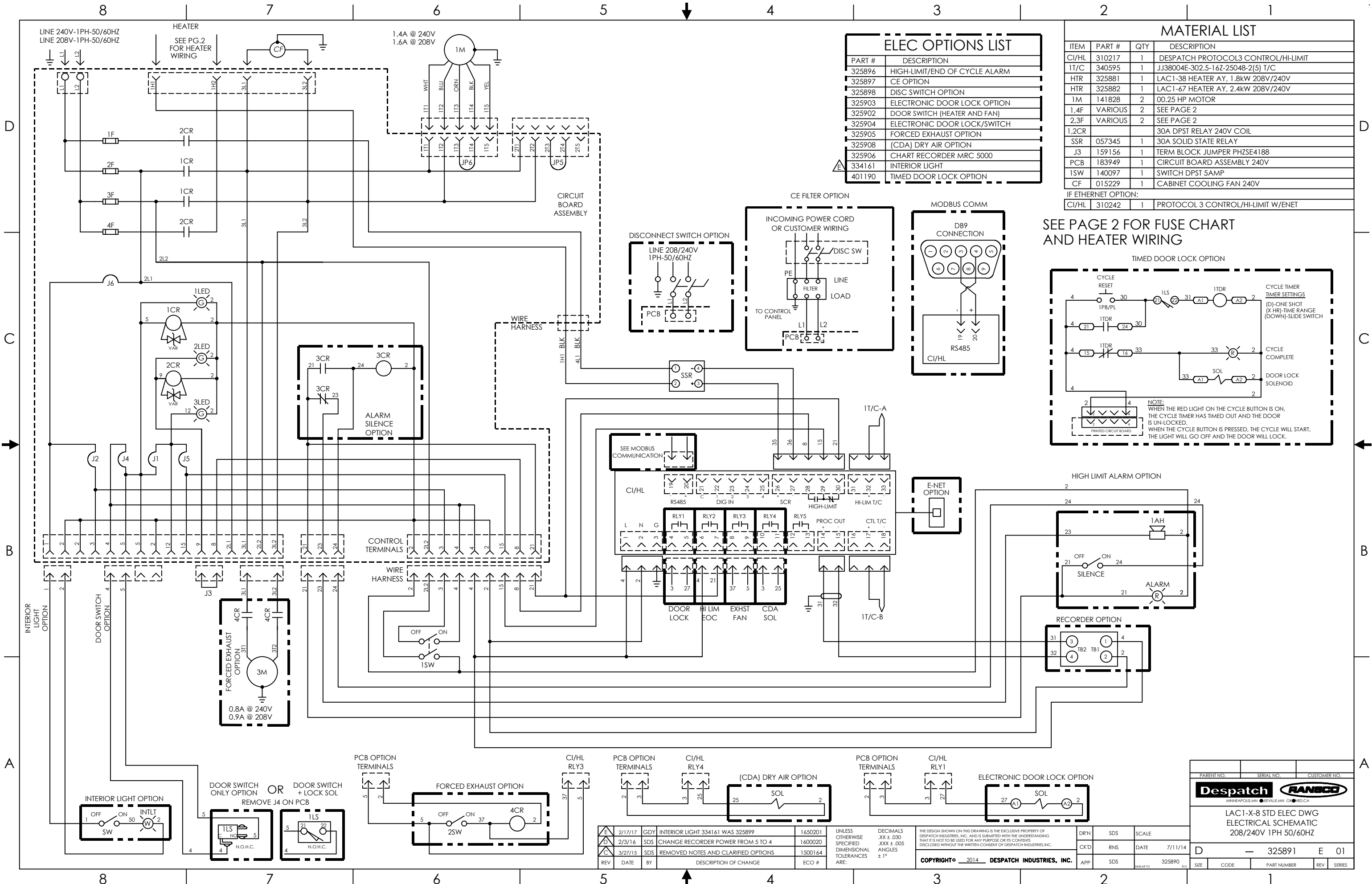
UNLESS OTHERWISE SPECIFIED DIMENSIONAL TOLERANCES ARE:
 DECIMALS .XX ± .030
 .XXX ± .005
 ANGLES ± 1°

THE DESIGN SHOWN ON THIS DRAWING IS THE EXCLUSIVE PROPERTY OF DESPATCH INDUSTRIES, INC. AND IS SUBMITTED WITH THE UNDERSTANDING THAT IT IS NOT TO BE USED FOR ANY PURPOSE OR ITS CONTENTS DISCLOSED WITHOUT THE WRITTEN CONSENT OF DESPATCH INDUSTRIES, INC.

DRN	SDS	SCALE	NONE
CKD	RNS	DATE	7/11/14
APP	SDS		

COPYRIGHT © 2014 DESPATCH INDUSTRIES, INC.

PARENT NO.	SERIAL NO.	CUSTOMER NO.
Despatch INDUSTRIES, INC.		
LAC2-X-8 STD ELEC DWG HEATER WIRING AND FUSING 208/240V 1PH 50/60HZ		
D	—	325890 E 02
SIZE	CODE	PART NUMBER REV SERIES



ELEC OPTIONS LIST

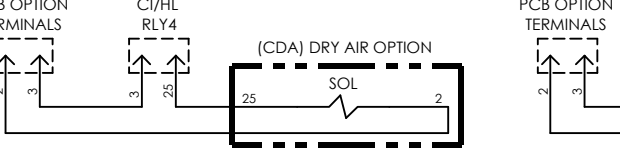
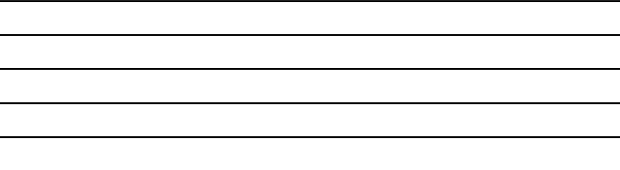
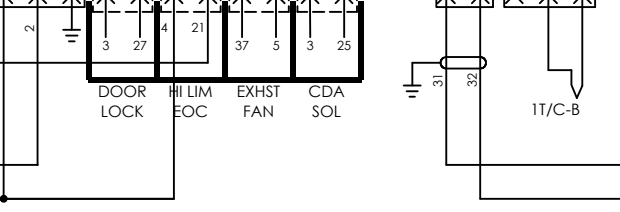
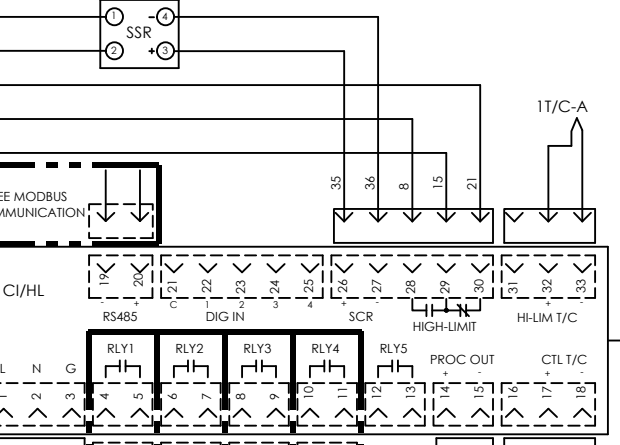
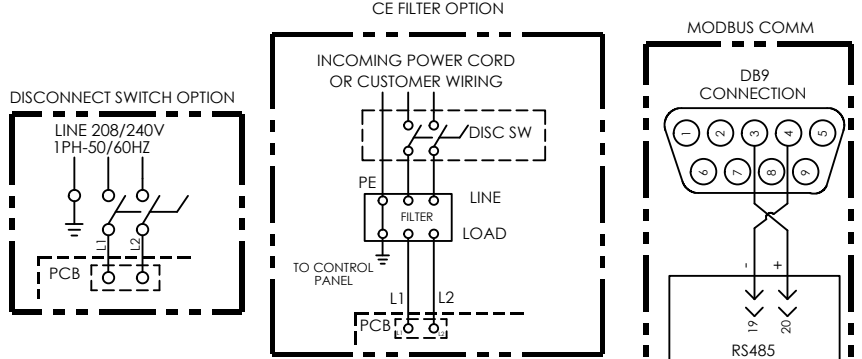
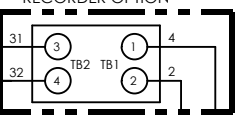
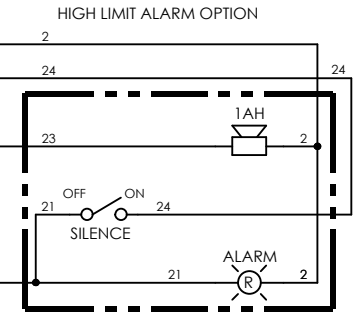
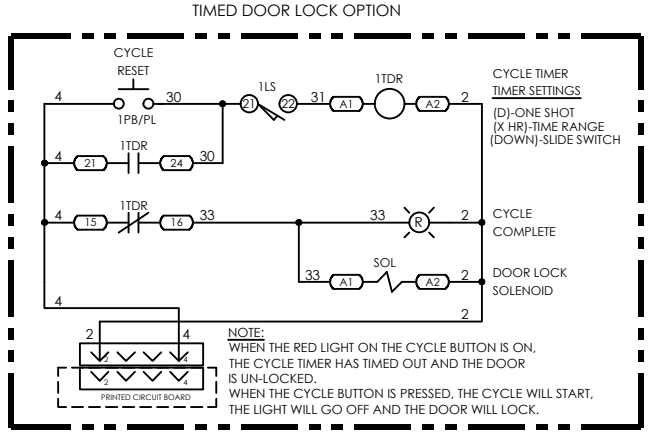
PART #	DESCRIPTION
325896	HIGH-LIMIT/END OF CYCLE ALARM
325897	CE OPTION
325898	DISC SWITCH OPTION
325903	ELECTRONIC DOOR LOCK OPTION
325902	DOOR SWITCH (HEATER AND FAN)
325904	ELECTRONIC DOOR LOCK/SWITCH
325905	FORCED EXHAUST OPTION
325908	(CDA) DRY AIR OPTION
325906	CHART RECORDER MRC 5000
334161	INTERIOR LIGHT
401190	TIMED DOOR LOCK OPTION

MATERIAL LIST

ITEM	PART #	QTY	DESCRIPTION
CI/HL	310217	1	DESPATCH PROTOCOL3 CONTROL/HI-LIMIT
1T/C	340595	1	JJ38004E-302.5-16Z-25048-2(5) T/C
HTR	325881	1	LAC1-38 HEATER AY, 1.8kW 208V/240V
HTR	325882	1	LAC1-67 HEATER AY, 2.4kW 208V/240V
1M	141828	2	00.25 HP MOTOR
1,4F	VARIOUS	2	SEE PAGE 2
2,3F	VARIOUS	2	SEE PAGE 2
1,2CR			30A DPST RELAY 240V COIL
SSR	057345	1	30A SOLID STATE RELAY
J3	159156	1	TERM BLOCK JUMPER PHZSE4188
PCB	183949	1	CIRCUIT BOARD ASSEMBLY 240V
1SW	140097	1	SWITCH DPST 5AMP
CF	015229	1	CABINET COOLING FAN 240V

IF ETHERNET OPTION:
 CI/HL 310242 1 PROTOCOL 3 CONTROL/HI-LIMIT W/ENET

SEE PAGE 2 FOR FUSE CHART AND HEATER WIRING



REV	DATE	BY	DESCRIPTION OF CHANGE	ECO #
E	2/17/17	GDY	INTERIOR LIGHT 334161 WAS 325899	1650201
A	2/3/16	SDS	CHANGE RECORDER POWER FROM 5 TO 4	1600020
C	3/27/15	SDS	REMOVED NOTES AND CLARIFIED OPTIONS	1500164

DRN	SDS	SCALE
CK'D	RNS	DATE 7/11/14
APP	SDS	DATE 7/11/14

UNLESS OTHERWISE SPECIFIED DIMENSIONAL TOLERANCES ARE:
 DECIMALS .XX ± .030
 .XXX ± .005
 ANGLES ± 1°

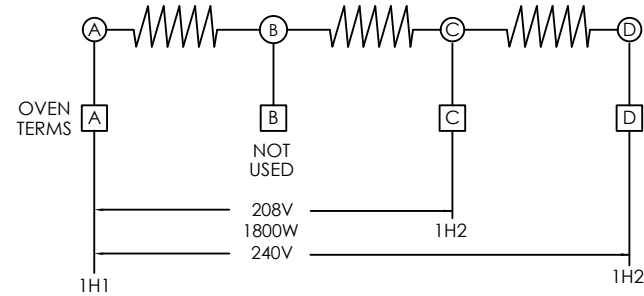
THE DESIGN SHOWN ON THIS DRAWING IS THE EXCLUSIVE PROPERTY OF DESPATCH INDUSTRIES, INC. AND IS SUBMITTED WITH THE UNDERSTANDING THAT IT IS NOT TO BE USED FOR ANY PURPOSE OR ITS CONTENTS DISCLOSED WITHOUT THE WRITTEN CONSENT OF DESPATCH INDUSTRIES, INC.

COPYRIGHT © 2014 DESPATCH INDUSTRIES, INC.

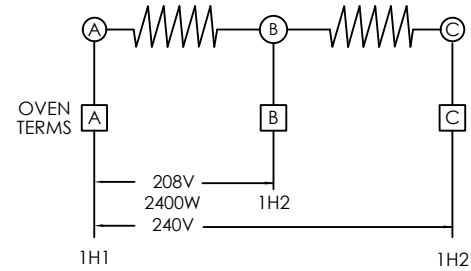
PARENT NO.	SERIAL NO.	CUSTOMER NO.
Despatch RANSCO		
LAC1-X-8 STD ELEC DWG ELECTRICAL SCHEMATIC 208/240V 1PH 50/60HZ		
D	—	325891 E 01
SIZE	CODE	PART NUMBER REV SERIES

HEATER WIRING

LAC1-38 208V/240V
1.8kW 8.7A/7.5A

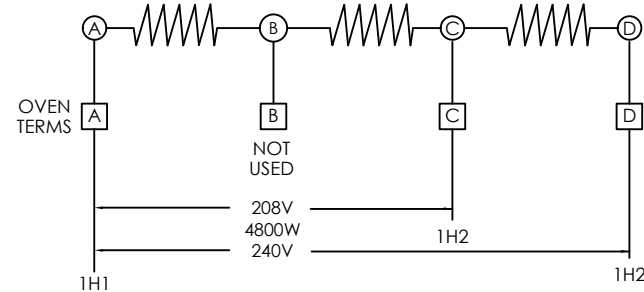


LAC1-67 208V/240V
2.4kW 11.5A/10.0A



LAC1-38 208V/240V
4.8kW 23.1A/20.0A

LAC1-67 208V/240V
4.8kW 23.1A/20.0A



FUSES

LAC1-X-8	STANDARD HEATER		UPGRD HTR	FORCED EXHST
<u>240V MODELS</u>	<u>1F,4F</u>	<u>2F,3F</u>	<u>1F,4F</u>	<u>2F,3F</u>
LAC1-38	10A-125556	3A-117172	25A-134923	4A-123306
LAC1-67	12A-125562	3A-117172	25A-134923	4A-123306
<u>208V MODELS</u>	<u>1F,4F</u>	<u>2F,3F</u>	<u>1F,4F</u>	<u>2F,3F</u>
LAC1-38	10A-125556	3A-117172	30A-124487	4A-123306
LAC1-67	15A-260076	3A-117172	30A-124487	4A-123306

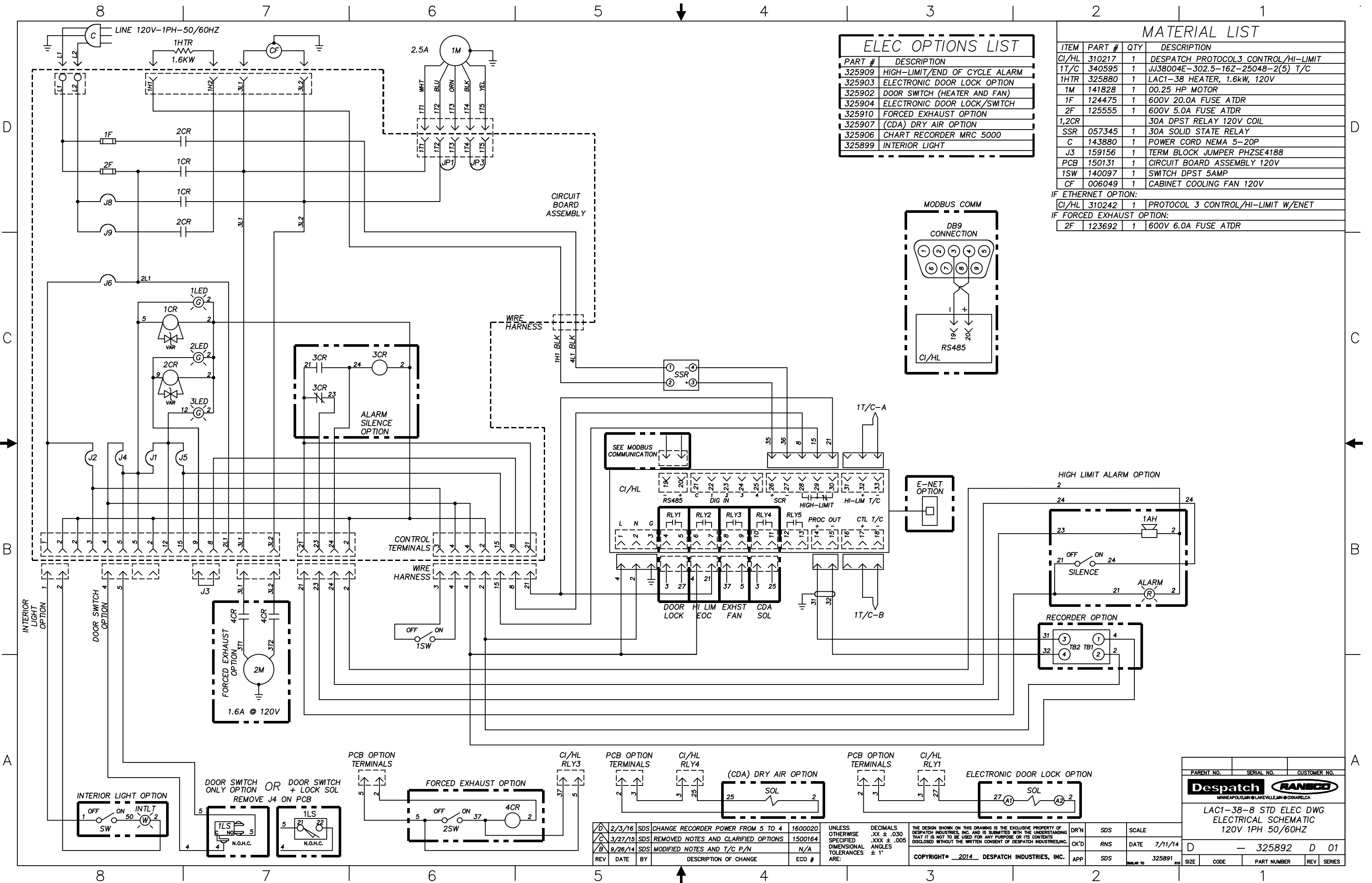
REV	DATE	BY	DESCRIPTION OF CHANGE	ECO #
E	2/17/17	GDY	NO CHGS THIS PAGE	1600192
D	2/3/16	SDS	CHANGE RECORDER POWER FROM 5 TO 4	1600020
C	3/27/15	SDS	NO CHANGE THIS PAGE	1500164

UNLESS OTHERWISE SPECIFIED DIMENSIONAL TOLERANCES ARE:
 DECIMALS .XX ± .030
 .XXX ± .005
 ANGLES ± 1°

THE DESIGN SHOWN ON THIS DRAWING IS THE EXCLUSIVE PROPERTY OF DESPATCH INDUSTRIES, AND IS SUBMITTED WITH THE UNDERSTANDING THAT IT IS NOT TO BE USED FOR ANY PURPOSE OR ITS CONTENTS DISCLOSED WITHOUT THE WRITTEN CONSENT OF DESPATCH INDUSTRIES.
 COPYRIGHT © 2014 DESPATCH INDUSTRIES.

DR'N	SDS	SCALE
CK'D	RNS	DATE 7/11/14
APP	SDS	DWG NO 325890

PARENT NO.	SERIAL NO.	CUSTOMER NO.
LAC1-38 and LAC1-67 HEATER WIRING AND FUSING 208V/240V		
D	— 325891	E 02
SIZE	CODE	PART NUMBER
		REV
		SERIES



ELEC OPTIONS LIST

PART #	DESCRIPTION
325909	HIGH-LIMIT/END OF CYCLE ALARM
325903	ELECTRONIC DOOR LOCK OPTION
325902	DOOR SWITCH (HEATER AND FAN)
325904	ELECTRONIC DOOR LOCK/SWITCH
325910	FORCED EXHAUST OPTION
325907	(CDA) DRY AIR OPTION
325906	CHART RECORDER MRC 5000
325899	INTERIOR LIGHT

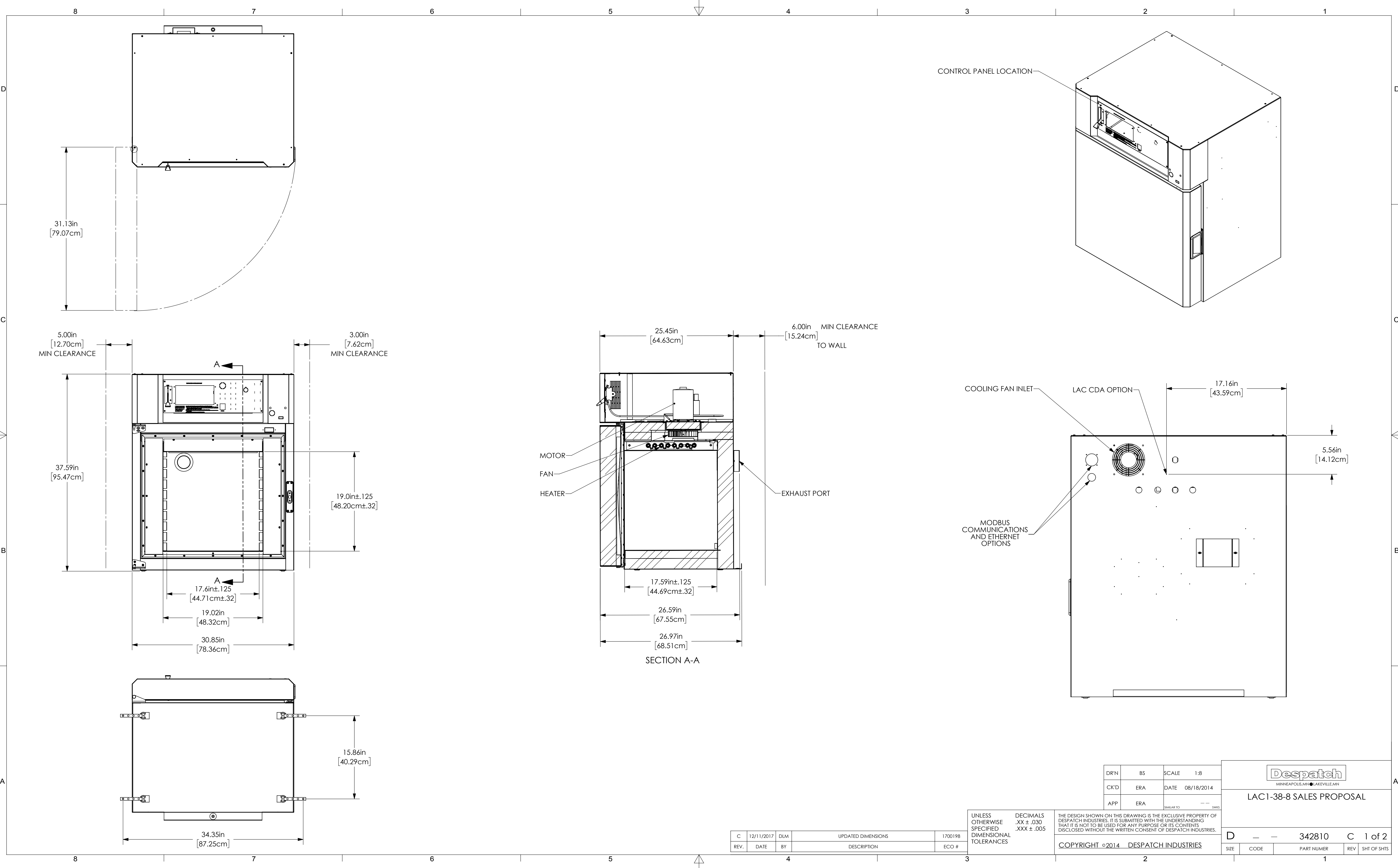
MATERIAL LIST

ITEM	PART #	QTY	DESCRIPTION
CI/HL	310217	1	DESPATCH PROTOCOL3 CONTROL/HI-LIMIT
1T/C	340595	1	JJ38004E-302.5-16Z-25048-2(5) T/C
1HTR	325880	1	LAC1-38 HEATER, 1.6kW, 120V
1M	141828	1	00.25 HP MOTOR
1F	124475	1	600V 20.0A FUSE ATDR
2F	125555	1	600V 5.0A FUSE ATDR
1,2CR			30A DPST RELAY 120V COIL
SSR	057345	1	30A SOLID STATE RELAY
C	143880	1	POWER CORD NEMA 5-20P
J3	159156	1	TERM BLOCK JUMPER PHZSE4188
PCB	150131	1	CIRCUIT BOARD ASSEMBLY 120V
1SW	140097	1	SWITCH DPST 5AMP
CF	006049	1	CABINET COOLING FAN 120V
IF ETHERNET OPTION:			
CI/HL	310242	1	PROTOCOL 3 CONTROL/HI-LIMIT W/ENET
IF FORCED EXHAUST OPTION:			
2F	123692	1	600V 6.0A FUSE ATDR

REV	DATE	BY	DESCRIPTION OF CHANGE	ECO #
Δ	2/3/16	SDS	CHANGE RECORDER POWER FROM 5 TO 4	1600020
Δ	3/27/15	SDS	REMOVED NOTES AND CLARIFIED OPTIONS	1500164
Δ	9/26/14	SDS	MODIFIED NOTES AND T/C P/N	N/A

UNLESS OTHERWISE SPECIFIED DIMENSIONAL TOLERANCES ARE:
 DECIMALS .XX ± .030
 .XXX ± .005
 ANGLES ± 1°
 THE DESIGN SHOWN ON THIS DRAWING IS THE EXCLUSIVE PROPERTY OF DESPATCH INDUSTRIES, INC. AND IS SUBMITTED WITH THE UNDERSTANDING THAT IT IS NOT TO BE USED FOR ANY PURPOSE OR ITS CONTENTS DISCLOSED WITHOUT THE WRITTEN CONSENT OF DESPATCH INDUSTRIES, INC.
 COPYRIGHT © 2014 DESPATCH INDUSTRIES, INC.

PARENT NO.	SERIAL NO.	CUSTOMER NO.
Despatch RANSCO		
MINNEAPOLIS, MN @ LAKEVILLE, MN @ OSHKOSH, CA		
LAC1-38-8 STD ELEC DWG ELECTRICAL SCHEMATIC 120V 1PH 50/60HZ		
DR'N	SDS	SCALE
CK'D	RNS	DATE 7/11/14
APP	SDS	SIZE D
		325892 D 01
		SIZE CODE PART NUMBER REV SERIES



DR'N	BS	SCALE	1:8
CK'D	ERA	DATE	08/18/2014
APP	ERA	SMALLER TO:	---

Despatch
MINNEAPOLIS, MN • LAKEVILLE, MN

LAC1-38-8 SALES PROPOSAL

C	12/11/2017	DLM	UPDATED DIMENSIONS	1700198
REV.	DATE	BY	DESCRIPTION	ECO #

UNLESS OTHERWISE SPECIFIED DIMENSIONAL TOLERANCES

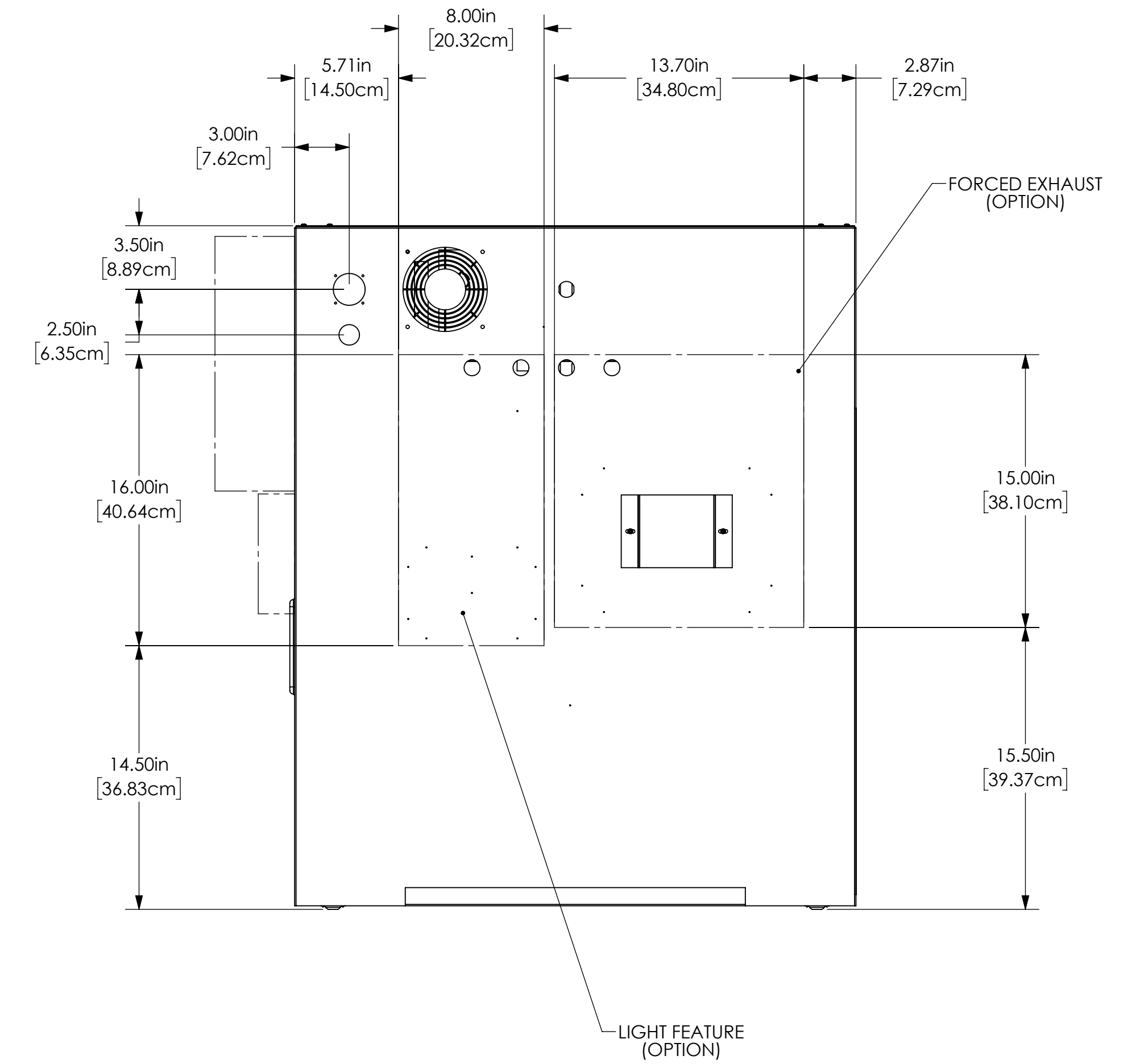
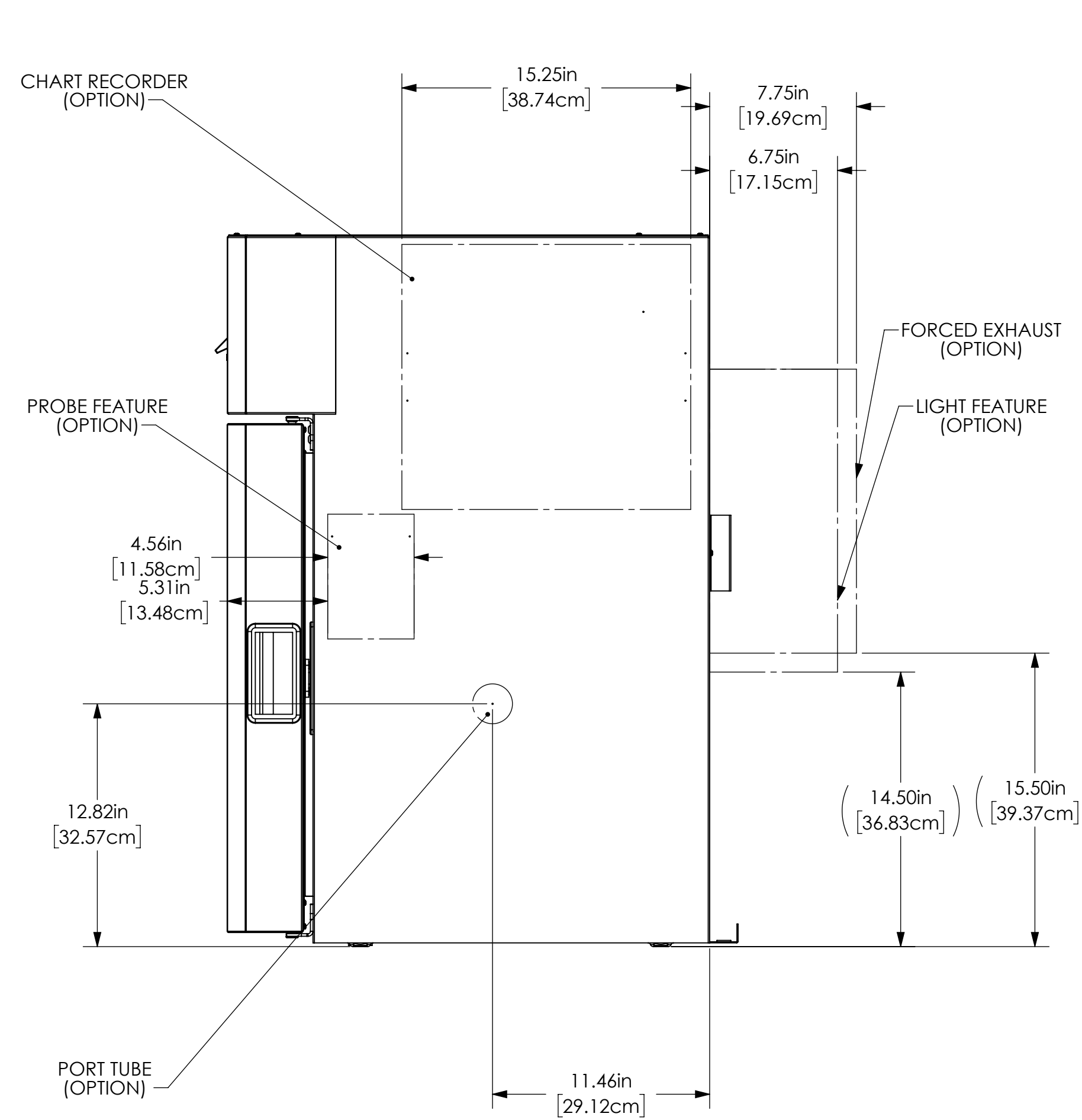
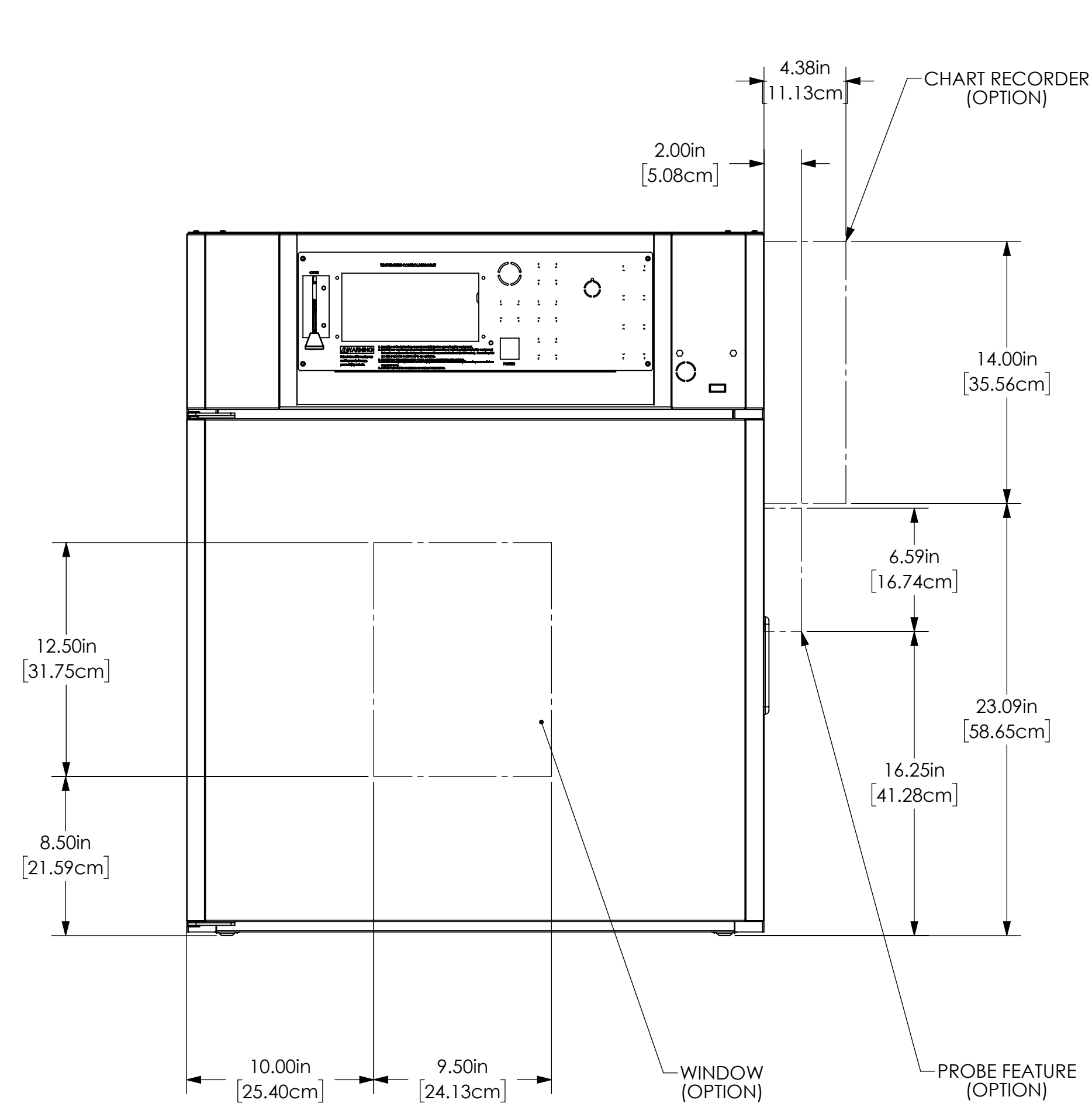
DECIMALS
.XX ± .030
.XXX ± .005

THE DESIGN SHOWN ON THIS DRAWING IS THE EXCLUSIVE PROPERTY OF DESPATCH INDUSTRIES. IT IS SUBMITTED WITH THE UNDERSTANDING THAT IT IS NOT TO BE USED FOR ANY PURPOSE OR ITS CONTENTS DISCLOSED WITHOUT THE WRITTEN CONSENT OF DESPATCH INDUSTRIES.

COPYRIGHT ©2014 DESPATCH INDUSTRIES

D	---	342810	C	1 of 2
SIZE	CODE	PART NUMBER	REV	SHT OF SHITS

OPTIONAL ASSEMBLIES



DR'N	BS	SCALE	1:8
CK'D	ERA	DATE	08/18/2014
APP	ERA	SMALLER TO	---



LAC1-38-8 SALES PROPOSAL

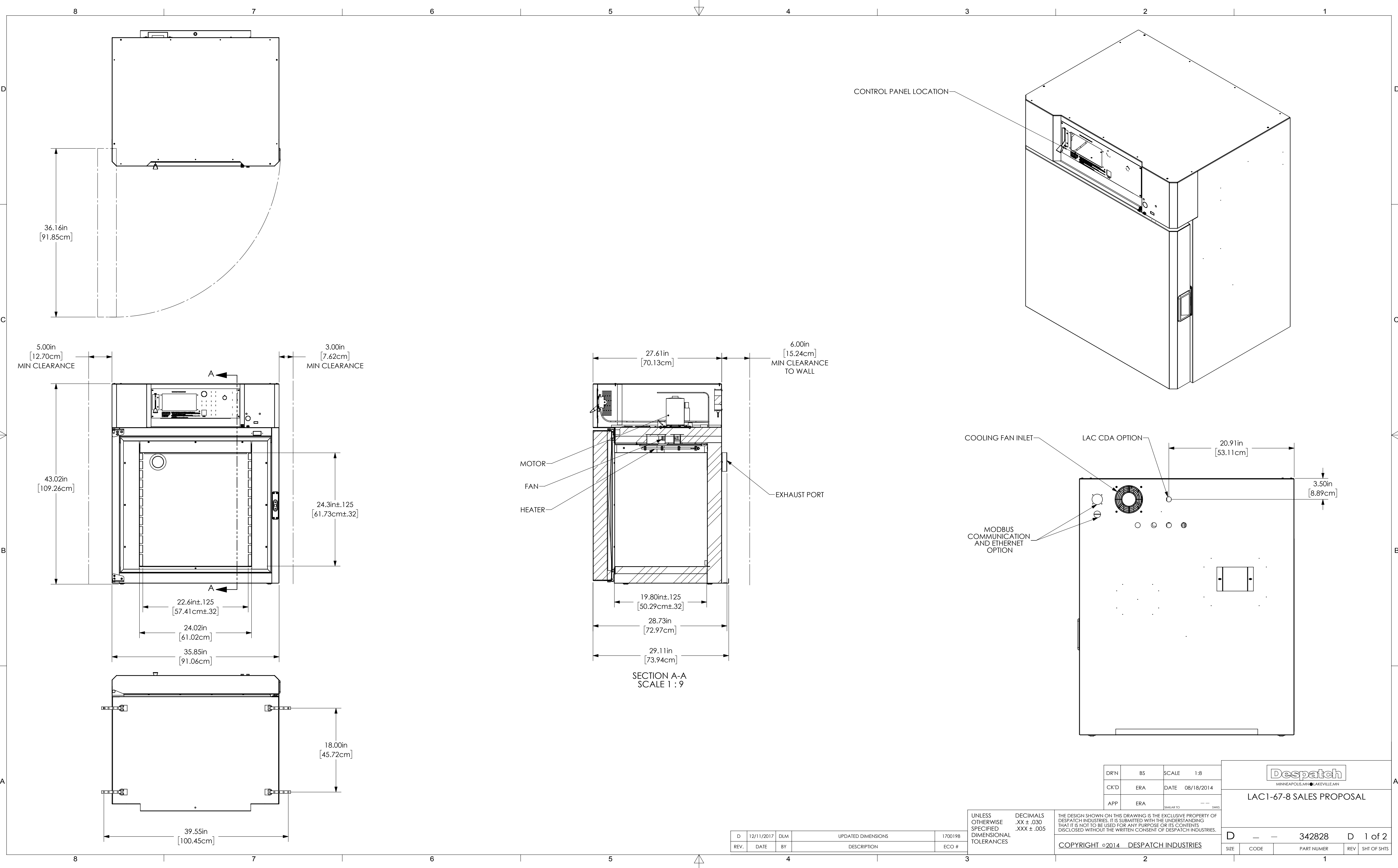
UNLESS OTHERWISE SPECIFIED DIMENSIONAL TOLERANCES

DECIMALS
XX ± .030
.XXX ± .005

THE DESIGN SHOWN ON THIS DRAWING IS THE EXCLUSIVE PROPERTY OF DESPATCH INDUSTRIES. IT IS SUBMITTED WITH THE UNDERSTANDING THAT IT IS NOT TO BE USED FOR ANY PURPOSE OR ITS CONTENTS DISCLOSED WITHOUT THE WRITTEN CONSENT OF DESPATCH INDUSTRIES.

COPYRIGHT ©2014 DESPATCH INDUSTRIES

D	---	342810	C	2 of 2
SIZE	CODE	PART NUMBER	REV	SHT OF SHTS



8 7 6 5 4 3 2 1

D

C

B

A

D

C

B

A

36.16in
[91.85cm]

5.00in
[12.70cm]
MIN CLEARANCE

3.00in
[7.62cm]
MIN CLEARANCE

43.02in
[109.26cm]

24.3in±.125
[61.73cm±.32]

22.6in±.125
[57.41cm±.32]

24.02in
[61.02cm]

35.85in
[91.06cm]

18.00in
[45.72cm]

39.55in
[100.45cm]

27.61in
[70.13cm]

6.00in
[15.24cm]
MIN CLEARANCE
TO WALL

MOTOR

FAN

HEATER

EXHAUST PORT

19.80in±.125
[50.29cm±.32]

28.73in
[72.97cm]

29.11in
[73.94cm]

SECTION A-A
SCALE 1 : 9

CONTROL PANEL LOCATION

COOLING FAN INLET

LAC CDA OPTION

20.91in
[53.11cm]

3.50in
[8.89cm]

MODBUS
COMMUNICATION
AND ETHERNET
OPTION

DR'N	BS	SCALE	1:8
CK'D	ERA	DATE	08/18/2014
APP	ERA	SMALLER TO:	---

Despatch
MINNEAPOLIS, MN LAKEVILLE, MN

LAC1-67-8 SALES PROPOSAL

UNLESS OTHERWISE SPECIFIED DIMENSIONAL TOLERANCES

DECIMALS .XX ± .030 .XXX ± .005

THE DESIGN SHOWN ON THIS DRAWING IS THE EXCLUSIVE PROPERTY OF DESPATCH INDUSTRIES. IT IS SUBMITTED WITH THE UNDERSTANDING THAT IT IS NOT TO BE USED FOR ANY PURPOSE OR ITS CONTENTS DISCLOSED WITHOUT THE WRITTEN CONSENT OF DESPATCH INDUSTRIES.

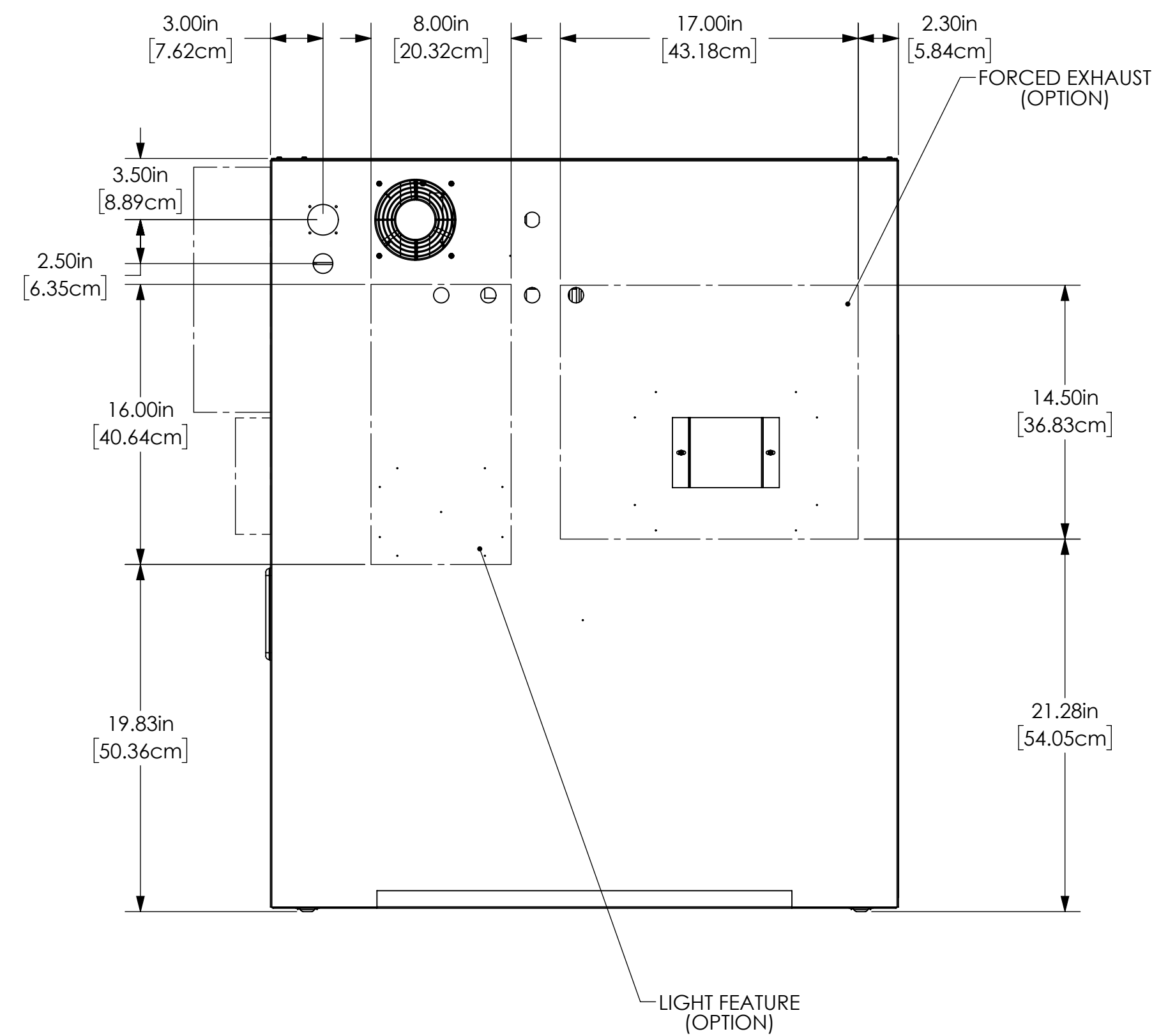
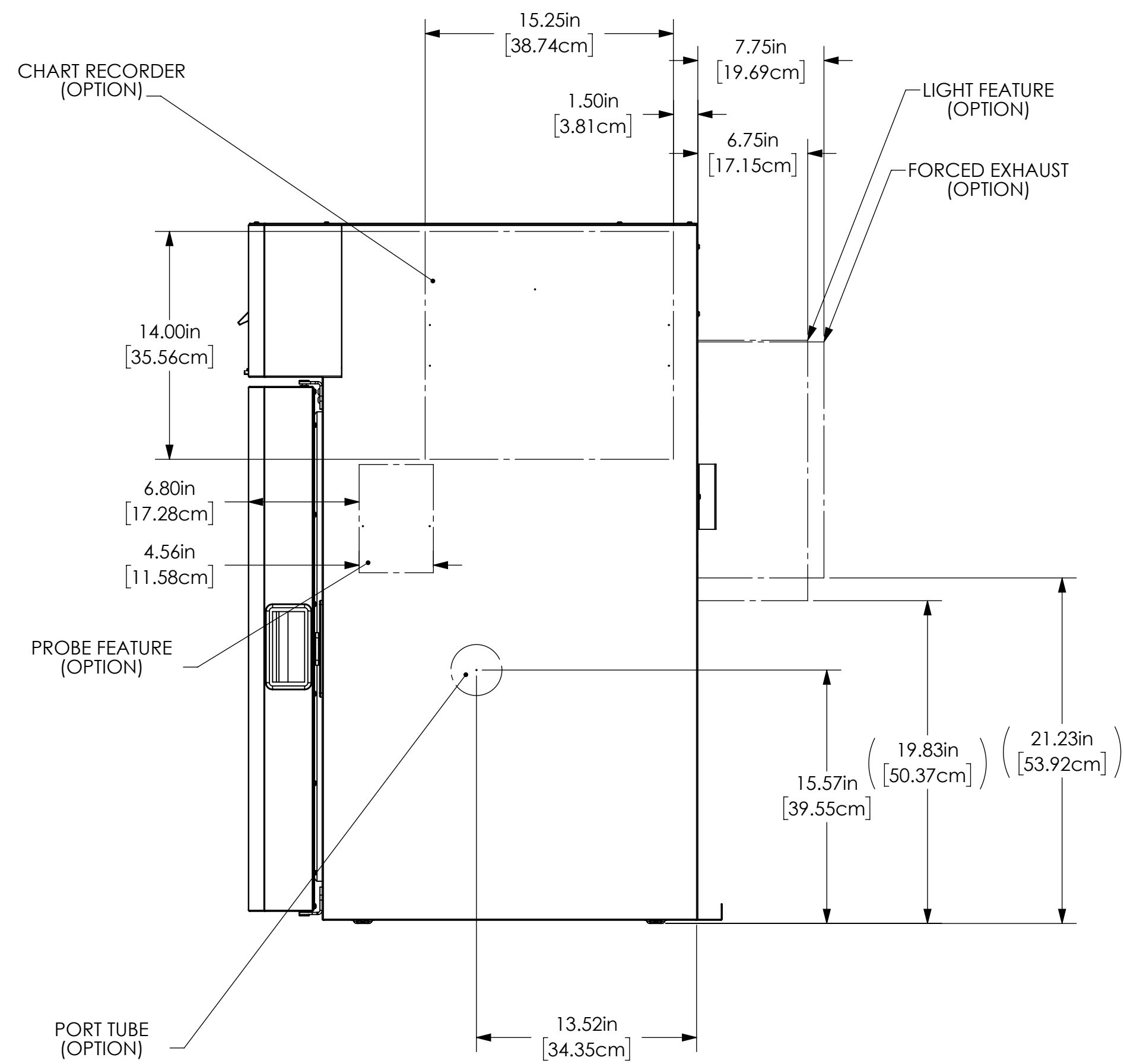
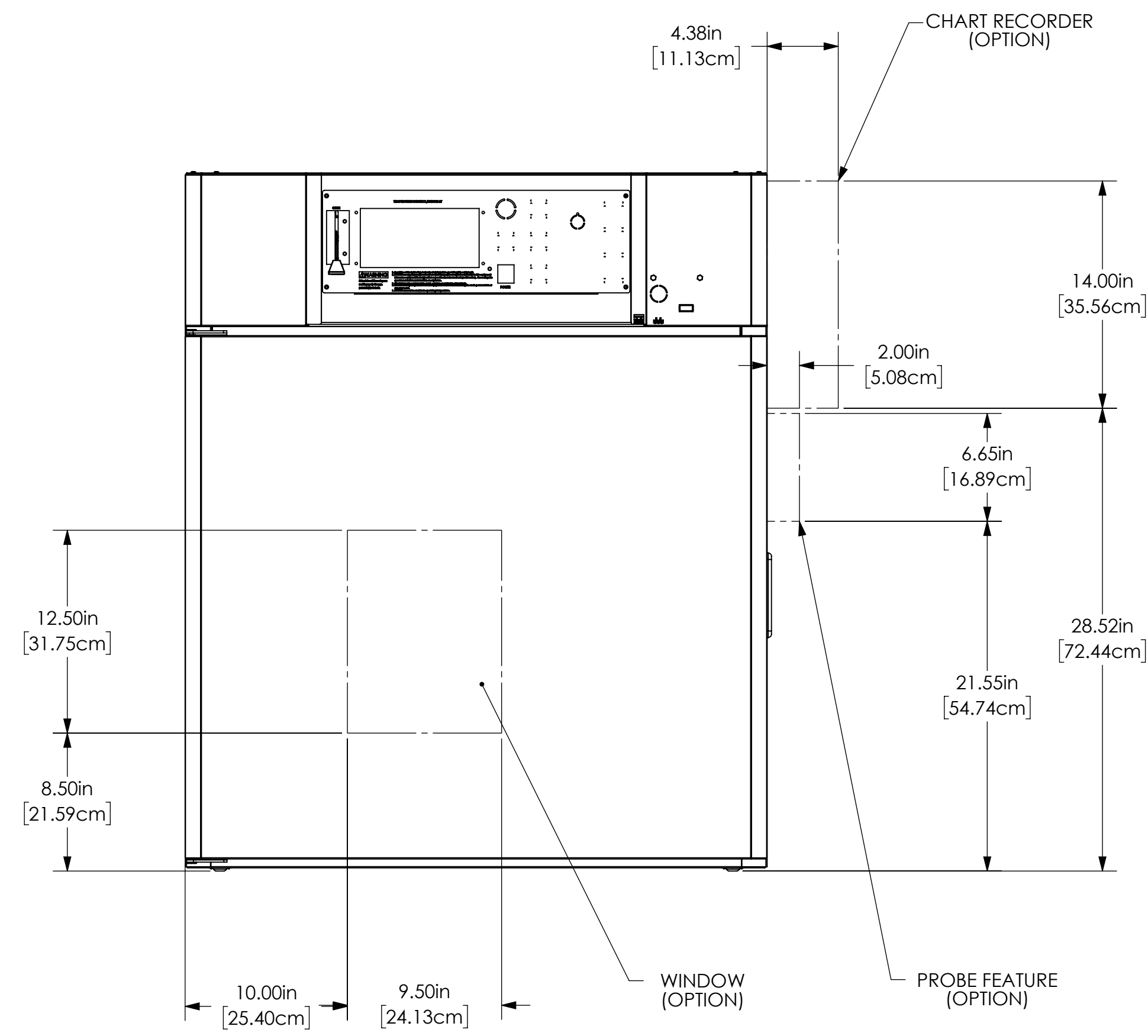
COPYRIGHT ©2014 DESPATCH INDUSTRIES

D	12/11/2017	DLM	UPDATED DIMENSIONS	1700198
REV.	DATE	BY	DESCRIPTION	ECO #

D	---	342828	D	1 of 2
SIZE	CODE	PART NUMBER	REV	SHT OF SHITS

8 7 6 5 4 3 2 1

OPTIONAL ASSEMBLIES



DR'N	BS	SCALE	1:8
CK'D	ERA	DATE	08/18/2014
APP	ERA	DATE	--

Despatch
MINNEAPOLIS, MN • LAKEVILLE, MN

LAC1-67-8 SALES PROPOSAL

UNLESS OTHERWISE SPECIFIED DIMENSIONAL TOLERANCES

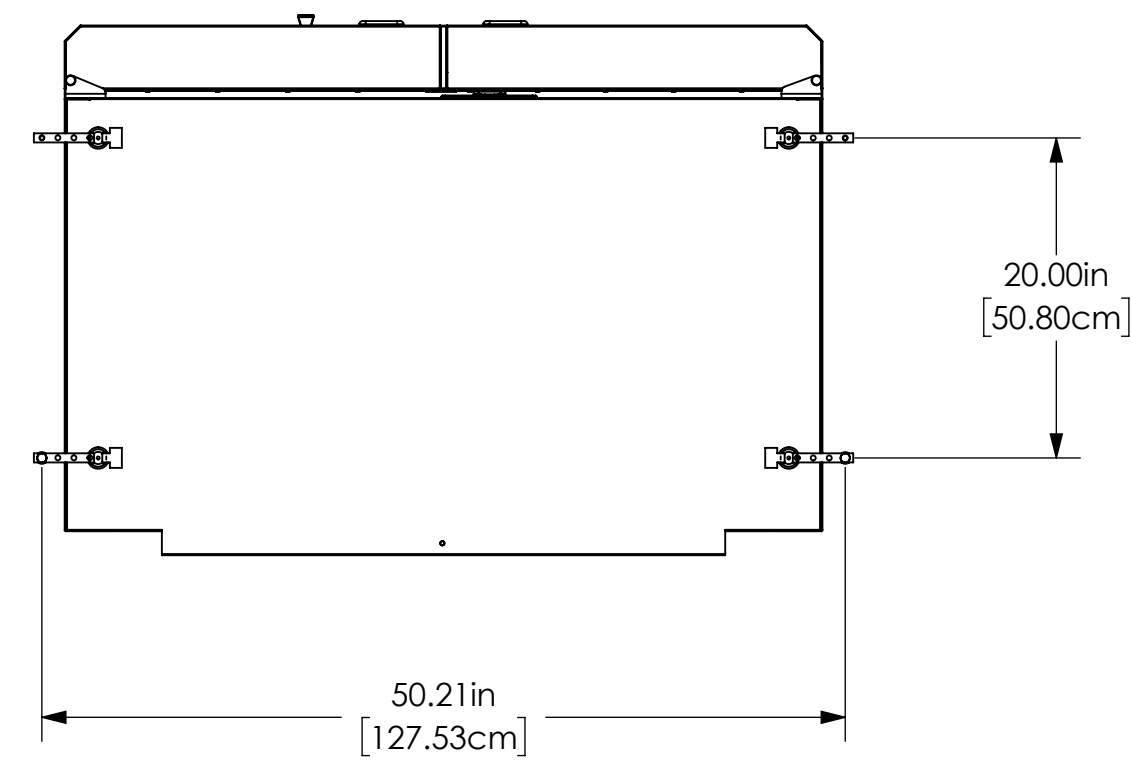
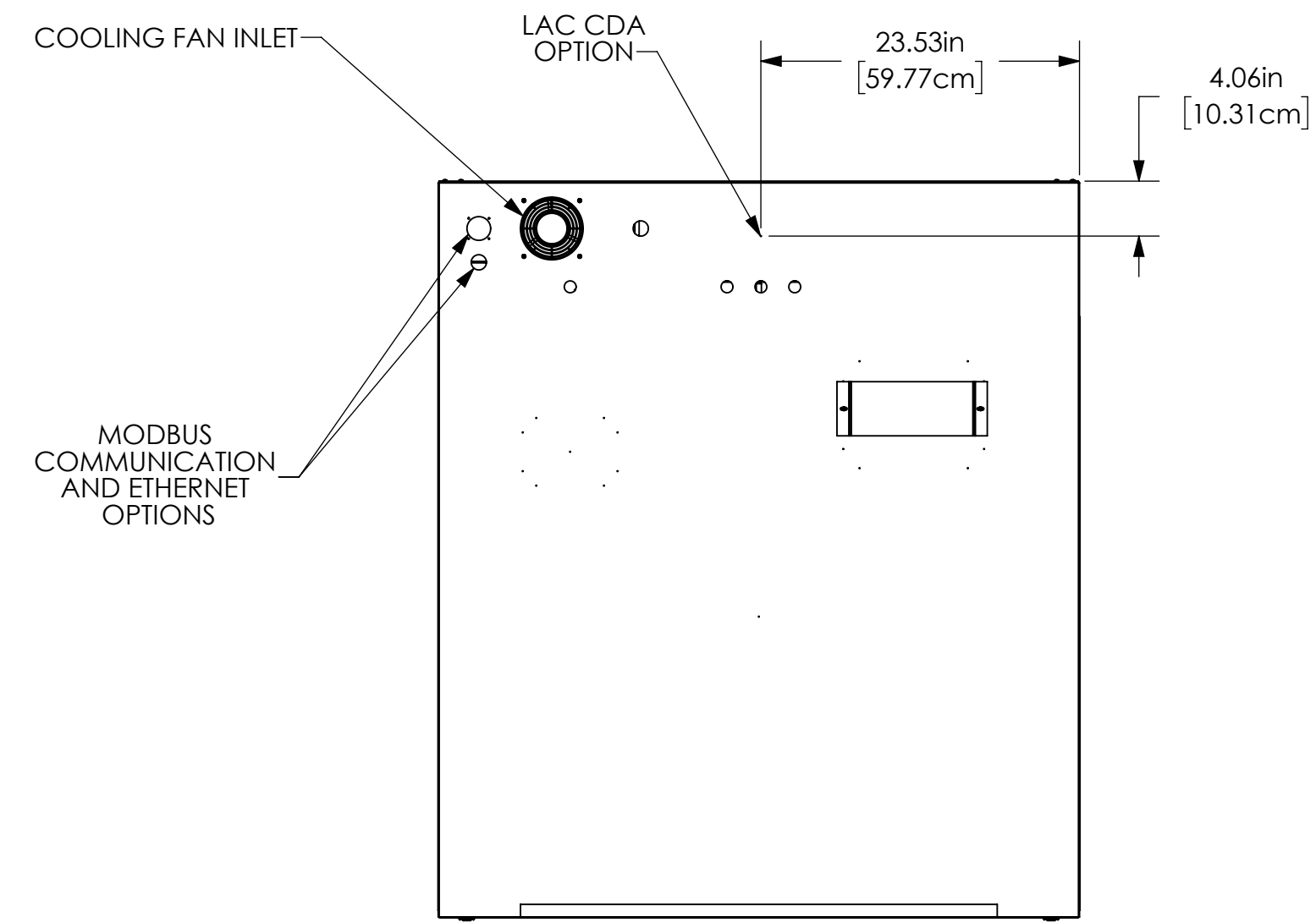
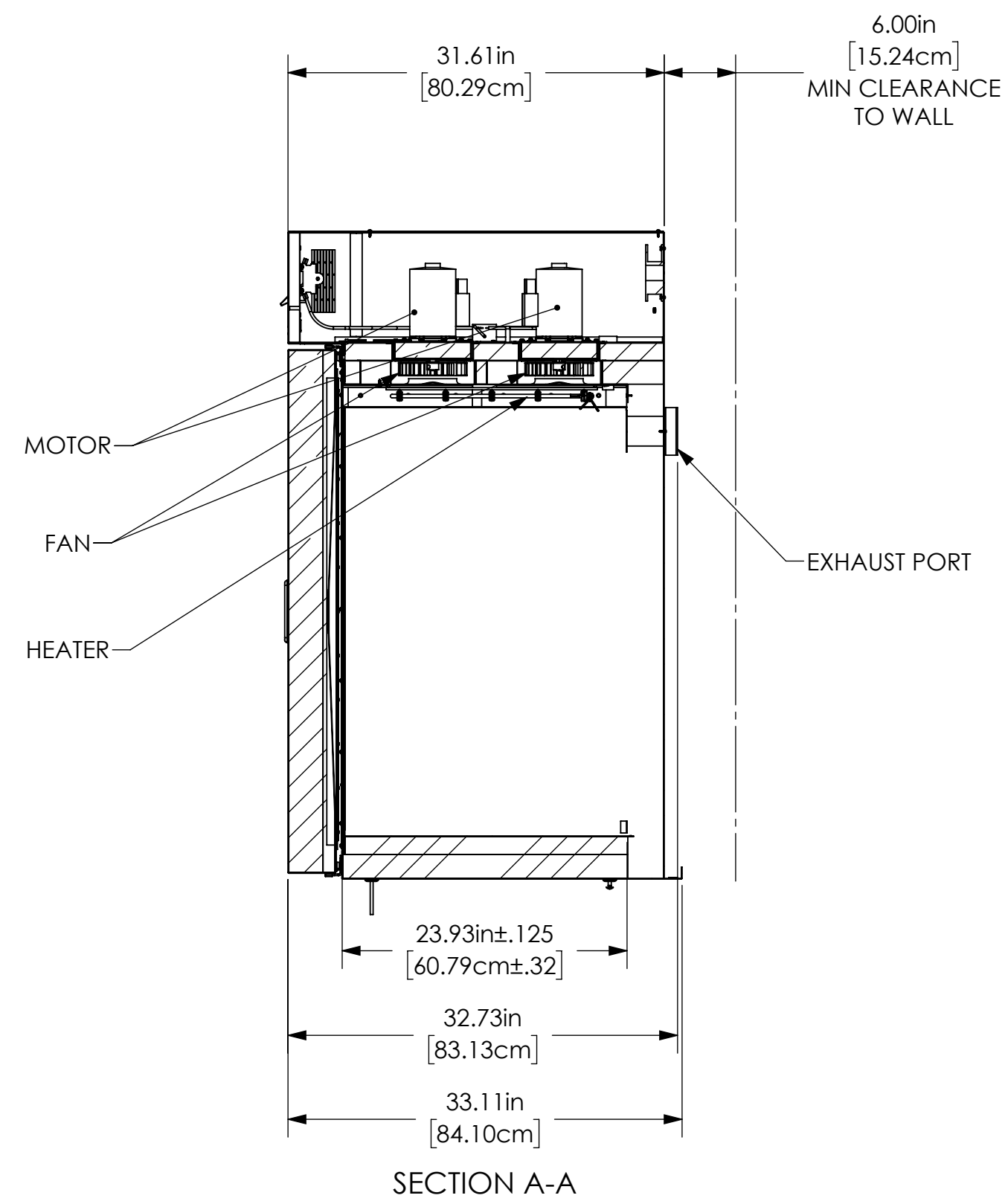
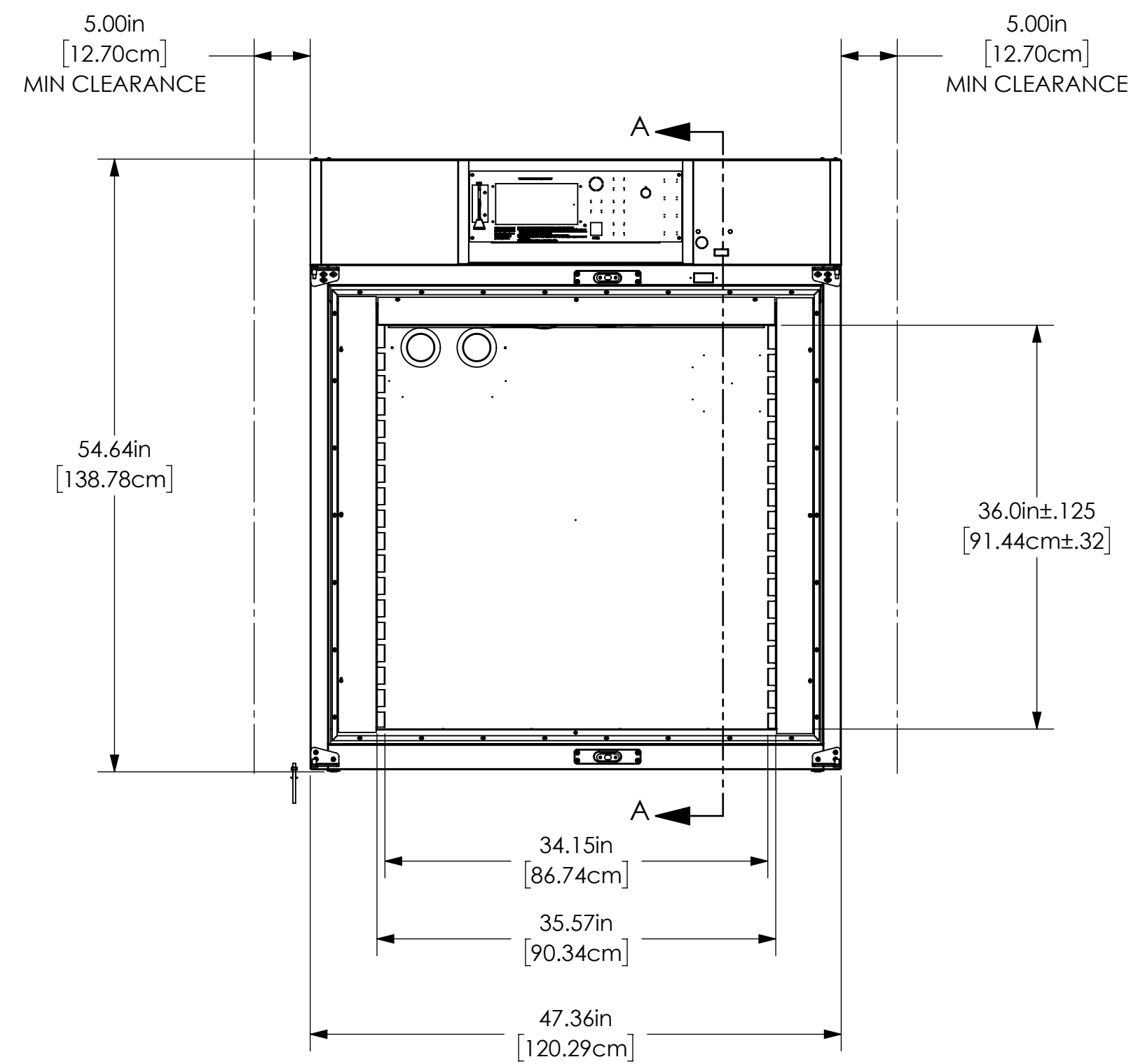
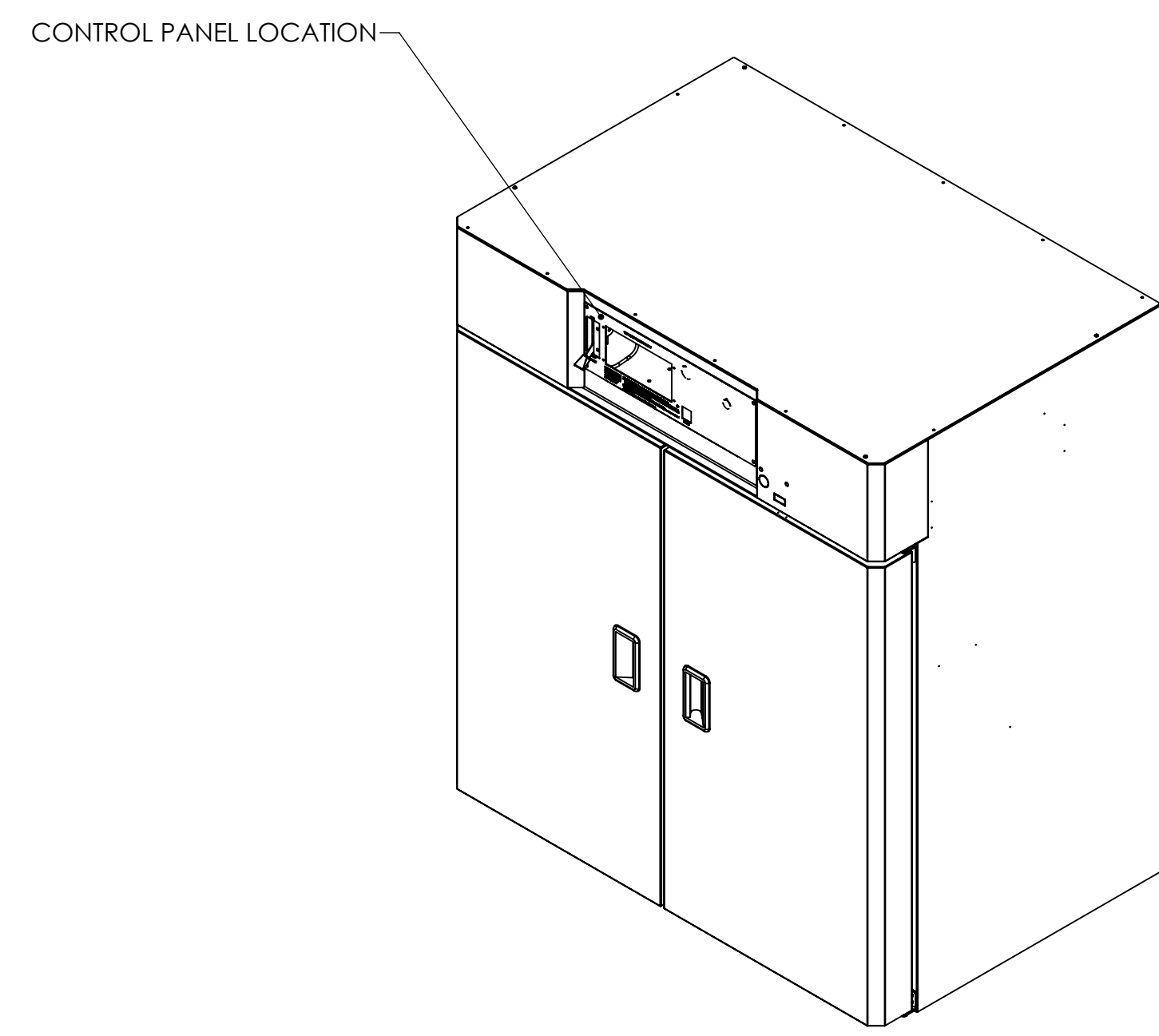
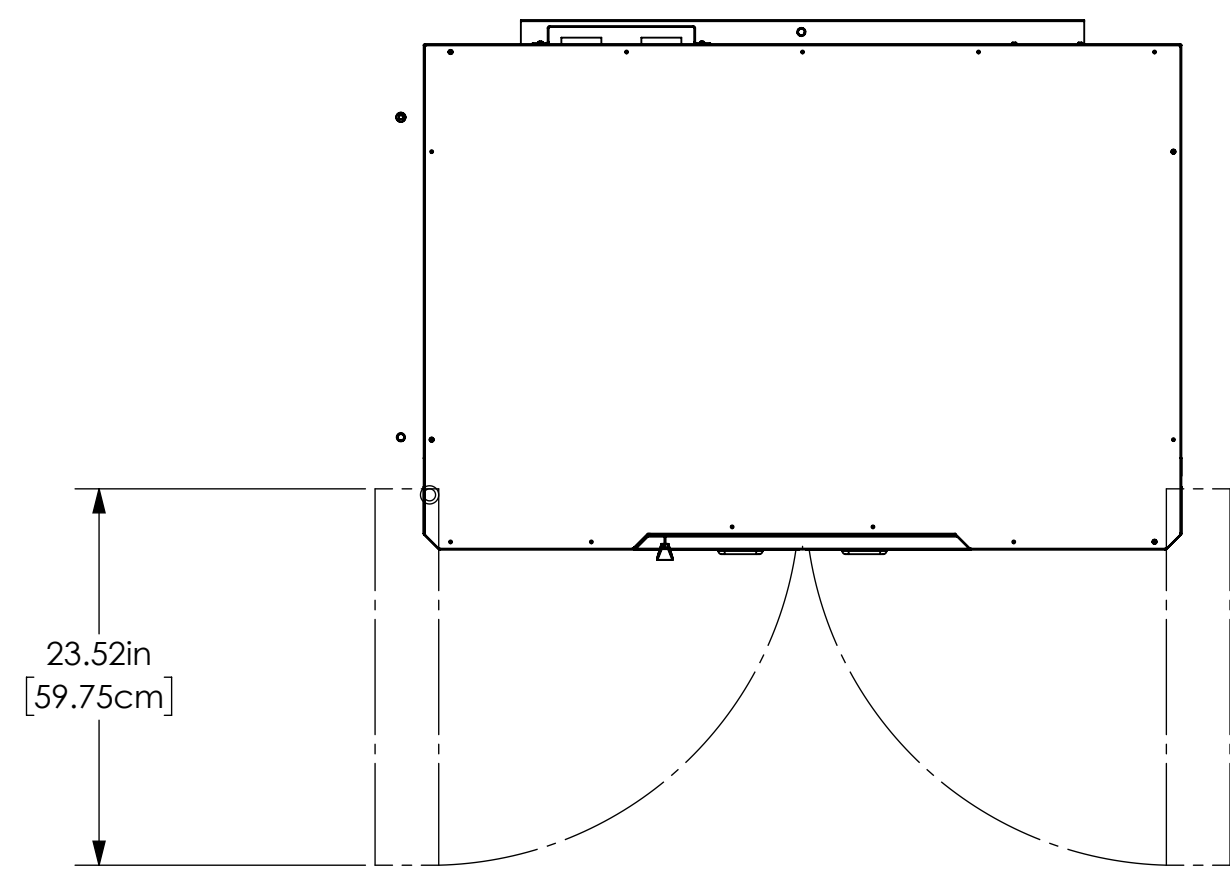
DECIMALS
XX ± .030
XXX ± .005

THE DESIGN SHOWN ON THIS DRAWING IS THE EXCLUSIVE PROPERTY OF DESPATCH INDUSTRIES. IT IS SUBMITTED WITH THE UNDERSTANDING THAT IT IS NOT TO BE USED FOR ANY PURPOSE OR ITS CONTENTS DISCLOSED WITHOUT THE WRITTEN CONSENT OF DESPATCH INDUSTRIES.

COPYRIGHT ©2014 DESPATCH INDUSTRIES

D	--	342828	D	2 of 2
SIZE	CODE	PART NUMBER	REV	SHT OF SHITS

8 7 6 5 4 3 2 1



REV.	DATE	BY	DESCRIPTION	ECO #
C	12/12/2017	DLM	UPDATED DIMENSIONS	1700198

UNLESS OTHERWISE SPECIFIED DIMENSIONAL TOLERANCES
 DECIMALS .XX ± .030
 .XXX ± .005

THE DESIGN SHOWN ON THIS DRAWING IS THE EXCLUSIVE PROPERTY OF DESPATCH INDUSTRIES. IT IS SUBMITTED WITH THE UNDERSTANDING THAT IT IS NOT TO BE USED FOR ANY PURPOSE OR ITS CONTENTS DISCLOSED WITHOUT THE WRITTEN CONSENT OF DESPATCH INDUSTRIES.

COPYRIGHT ©2014 DESPATCH INDUSTRIES

DR'N	BS	SCALE	1:12
CK'D	ERA	DATE	08/18/2014
APP	ERA	SMALLER TO	---

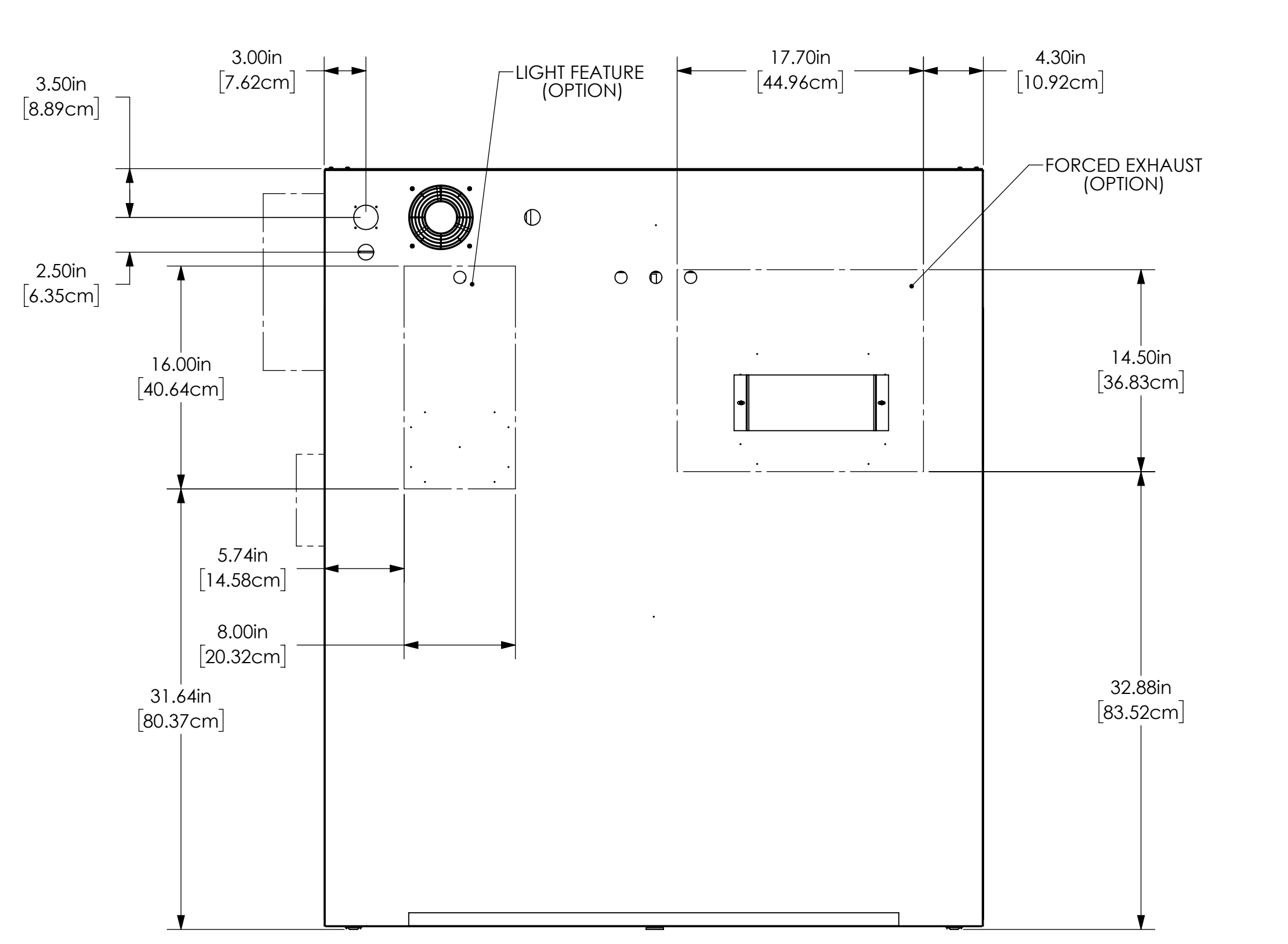
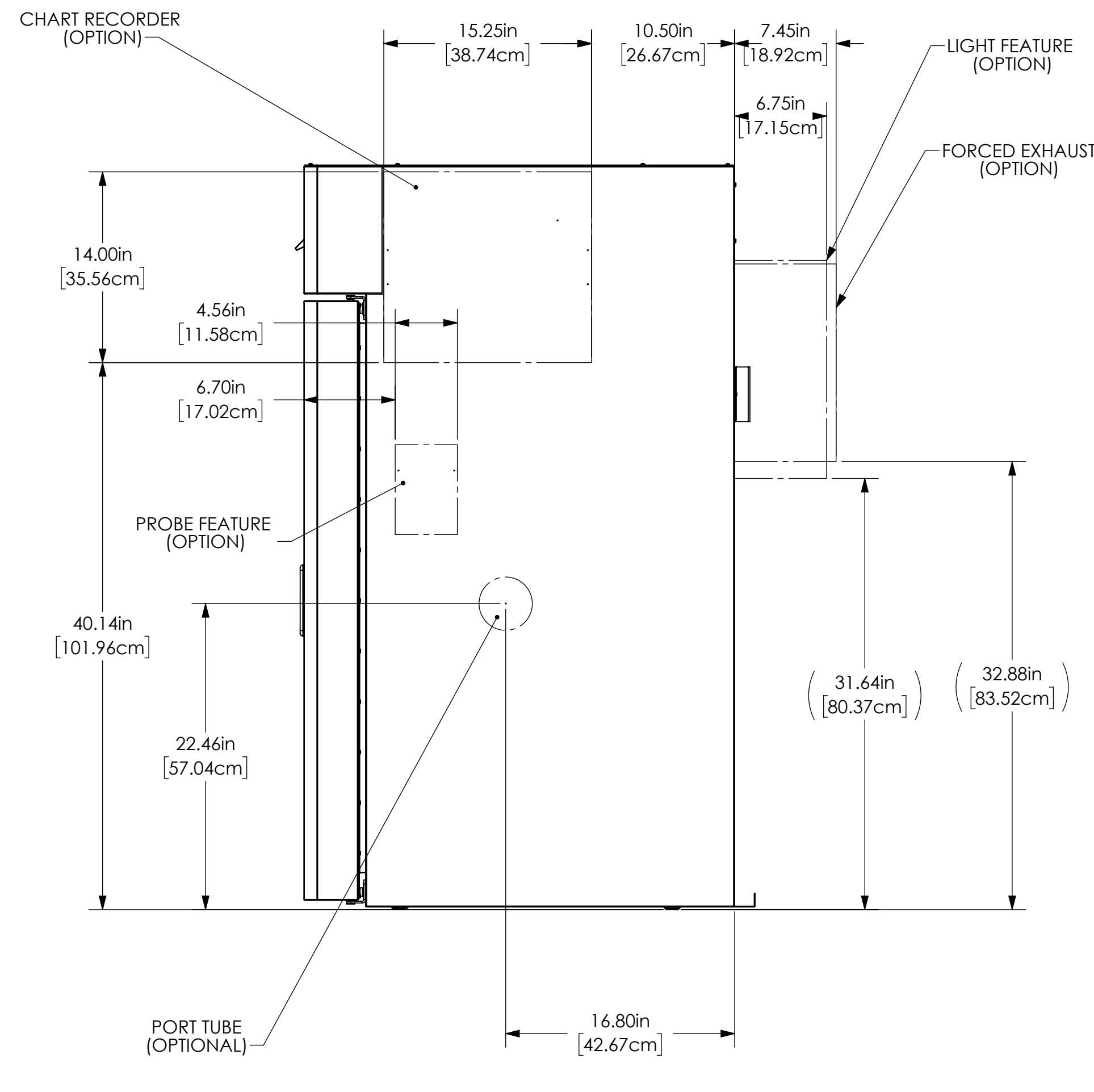
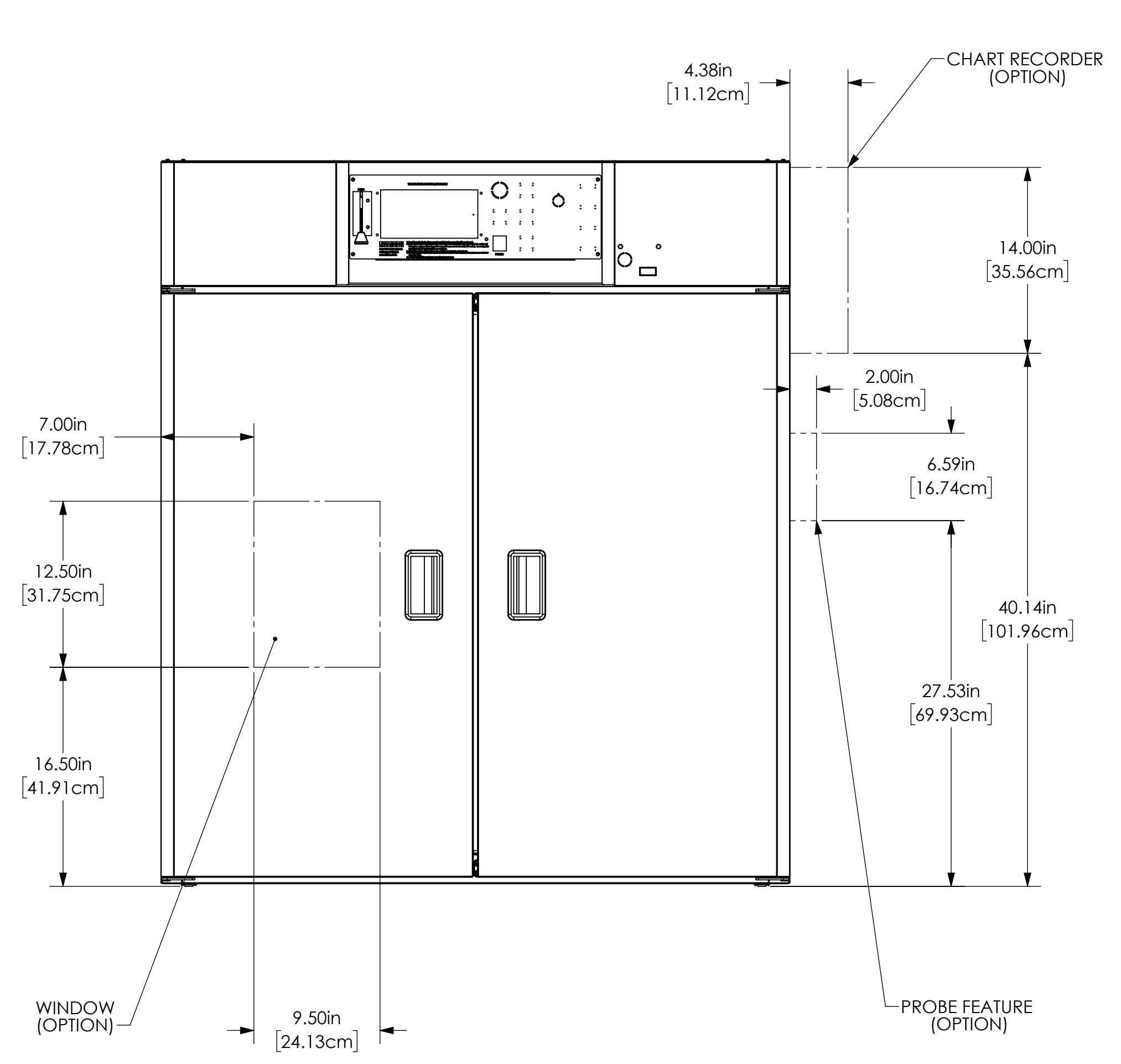
Despatch
 MINNEAPOLIS, MN LAKEVILLE, MN

LAC2-18-8 SALES PROPOSAL

D	---	342866	C	1 of 2
SIZE	CODE	PART NUMBER	REV	SHT OF SHTS

8 7 6 5 4 3 2 1

OPTIONAL ASSEMBLIES



DR'N	BS	SCALE	1:12
CK'D	ERA	DATE	08/18/2014
APP	ERA	DESIGNED BY	---

Despatch
MINNEAPOLIS, MN • LAKEVILLE, MN

LAC2-18-8 SALES PROPOSAL

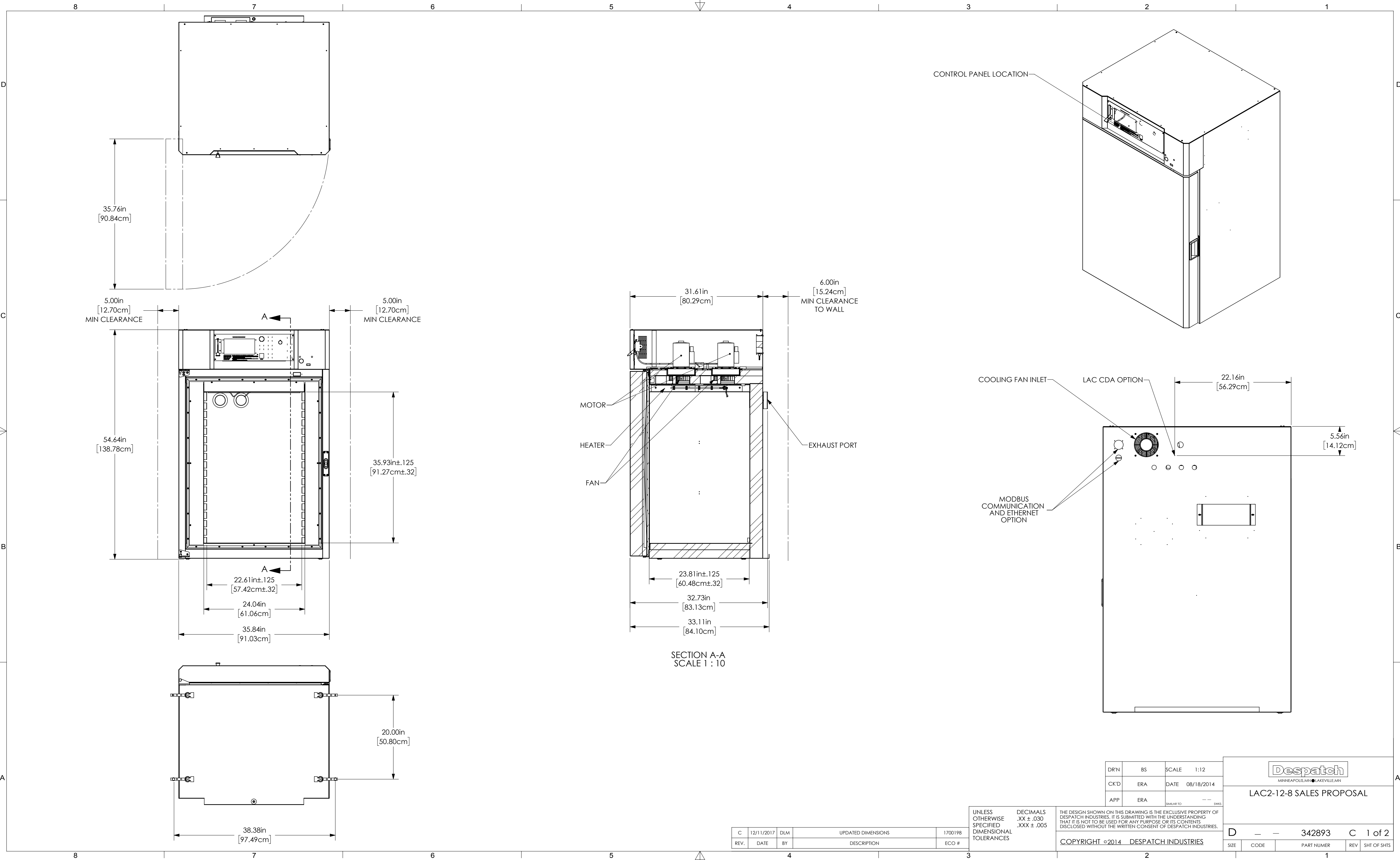
UNLESS OTHERWISE SPECIFIED DIMENSIONAL TOLERANCES

DECIMALS
.XX ± .030
.XXX ± .005

THE DESIGN SHOWN ON THIS DRAWING IS THE EXCLUSIVE PROPERTY OF DESPATCH INDUSTRIES. IT IS SUBMITTED WITH THE UNDERSTANDING THAT IT IS NOT TO BE USED FOR ANY PURPOSE OR ITS CONTENTS DISCLOSED WITHOUT THE WRITTEN CONSENT OF DESPATCH INDUSTRIES.

COPYRIGHT ©2014 DESPATCH INDUSTRIES

D	---	342866	C	2 of 2
SIZE	CODE	PART NUMBER	REV	SHT OF SHTS



SECTION A-A
SCALE 1 : 10

DR'N	BS	SCALE	1:12
CK'D	ERA	DATE	08/18/2014
APP	ERA	SMALLER TO	---

Despatch
MINNEAPOLIS, MN • LAKEVILLE, MN

LAC2-12-8 SALES PROPOSAL

UNLESS OTHERWISE SPECIFIED DIMENSIONAL TOLERANCES

DECIMALS
.XX ± .030
.XXX ± .005

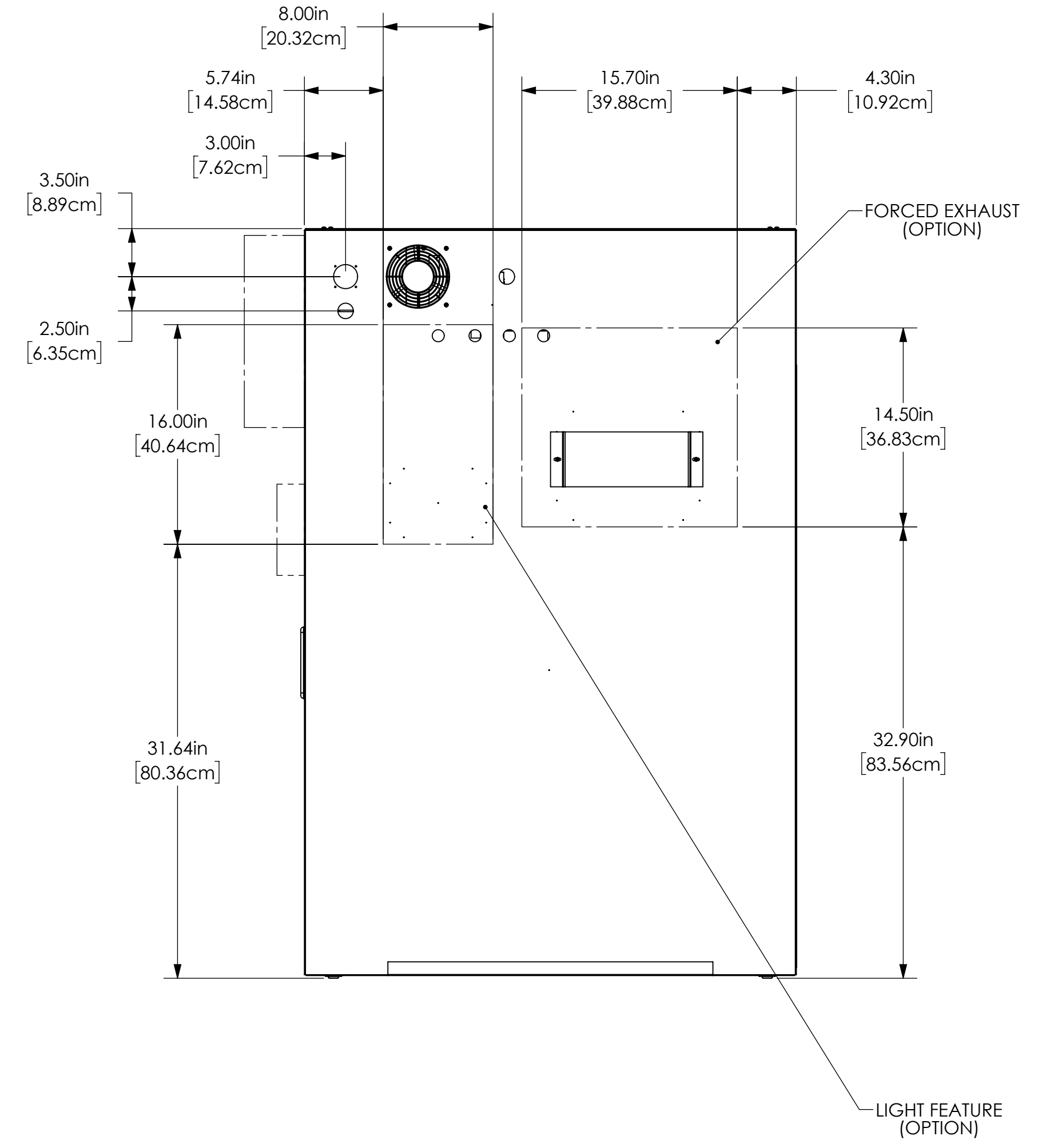
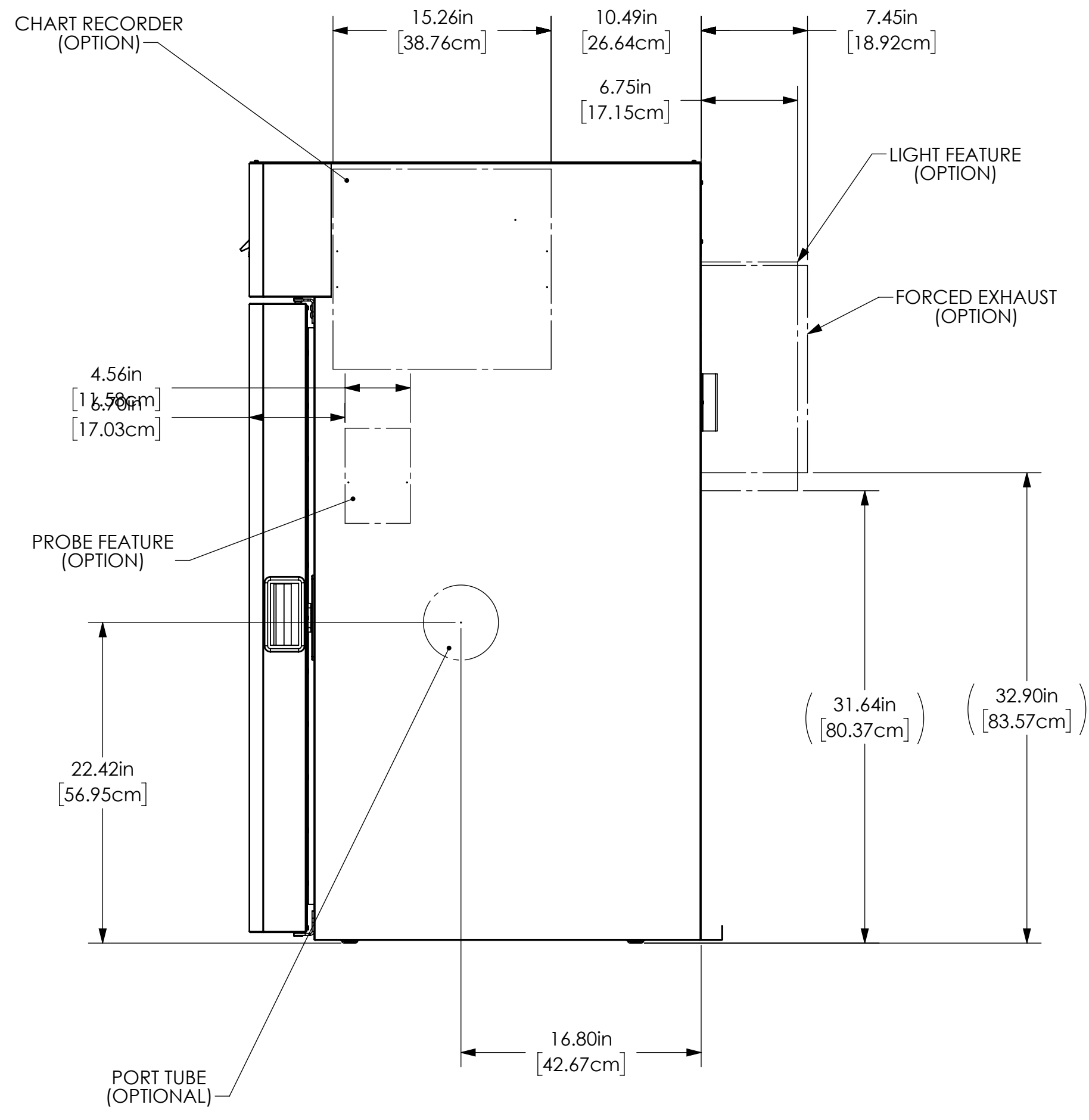
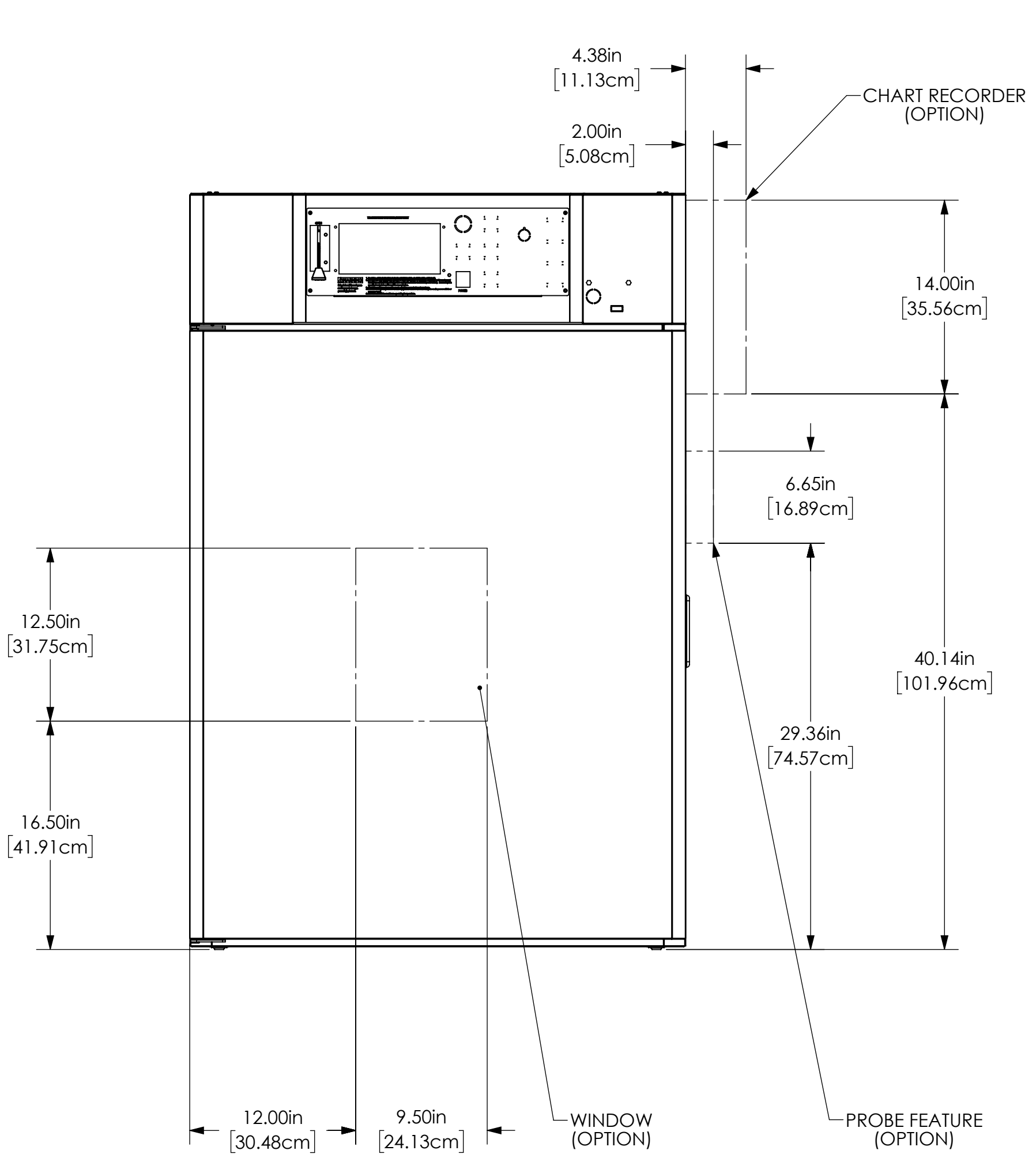
THE DESIGN SHOWN ON THIS DRAWING IS THE EXCLUSIVE PROPERTY OF DESPATCH INDUSTRIES. IT IS SUBMITTED WITH THE UNDERSTANDING THAT IT IS NOT TO BE USED FOR ANY PURPOSE OR ITS CONTENTS DISCLOSED WITHOUT THE WRITTEN CONSENT OF DESPATCH INDUSTRIES.

COPYRIGHT ©2014 DESPATCH INDUSTRIES

C	12/11/2017	DLM	UPDATED DIMENSIONS	1700198
REV.	DATE	BY	DESCRIPTION	ECO #

D	---	342893	C	1 of 2
SIZE	CODE	PART NUMBER	REV	SHT OF SHITS

OPTIONAL ASSEMBLIES



DR'N	BS	SCALE	1:12
CK'D	ERA	DATE	08/18/2014
APP	ERA	SMALLER TO	---

Despatch
MINNEAPOLIS, MN • LAKEVILLE, MN

LAC2-12-8 SALES PROPOSAL

UNLESS OTHERWISE SPECIFIED DIMENSIONAL TOLERANCES

DECIMALS .XX ± .030
.XXX ± .005

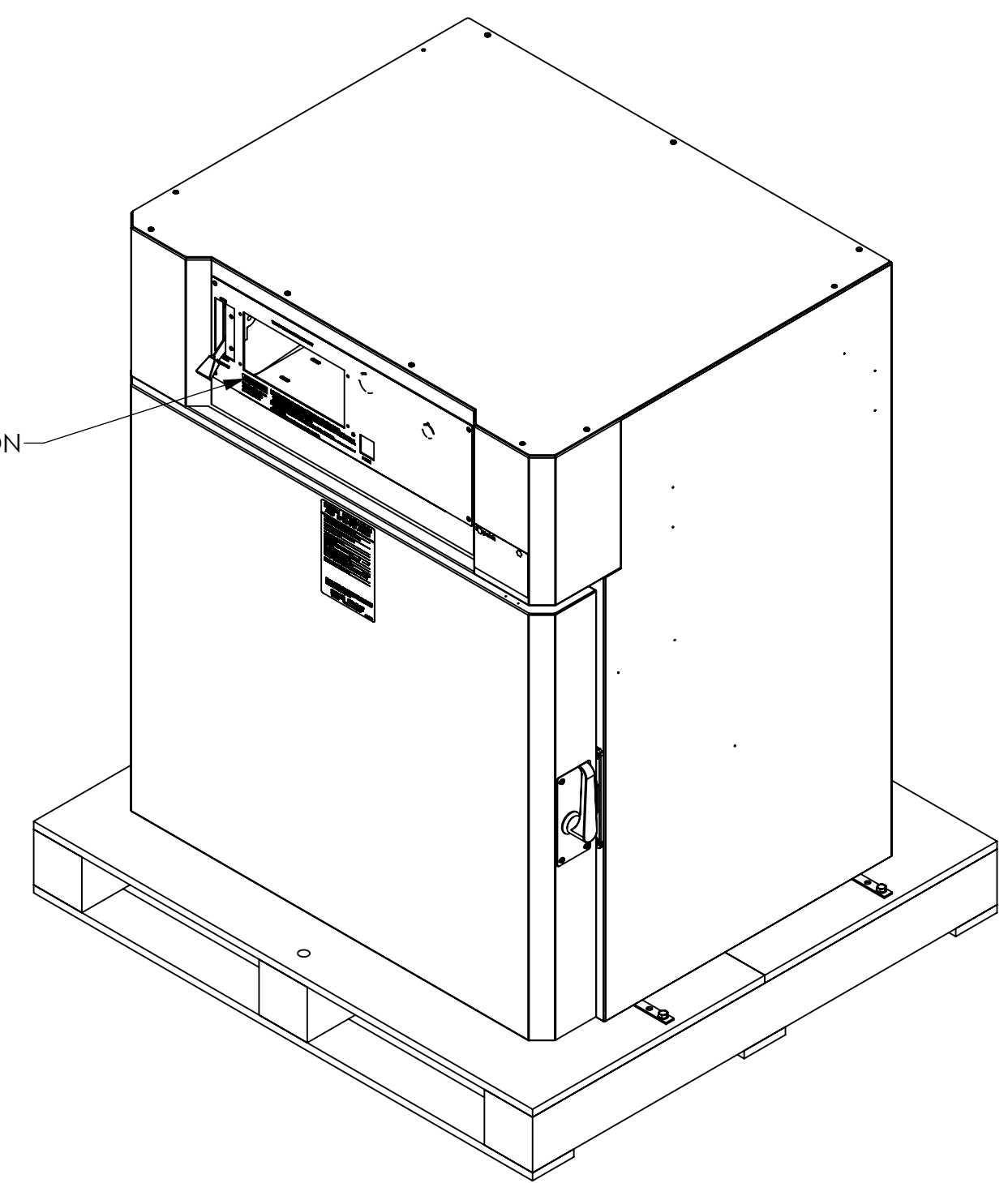
THE DESIGN SHOWN ON THIS DRAWING IS THE EXCLUSIVE PROPERTY OF DESPATCH INDUSTRIES. IT IS SUBMITTED WITH THE UNDERSTANDING THAT IT IS NOT TO BE USED FOR ANY PURPOSE OR ITS CONTENTS DISCLOSED WITHOUT THE WRITTEN CONSENT OF DESPATCH INDUSTRIES.

COPYRIGHT ©2014 DESPATCH INDUSTRIES

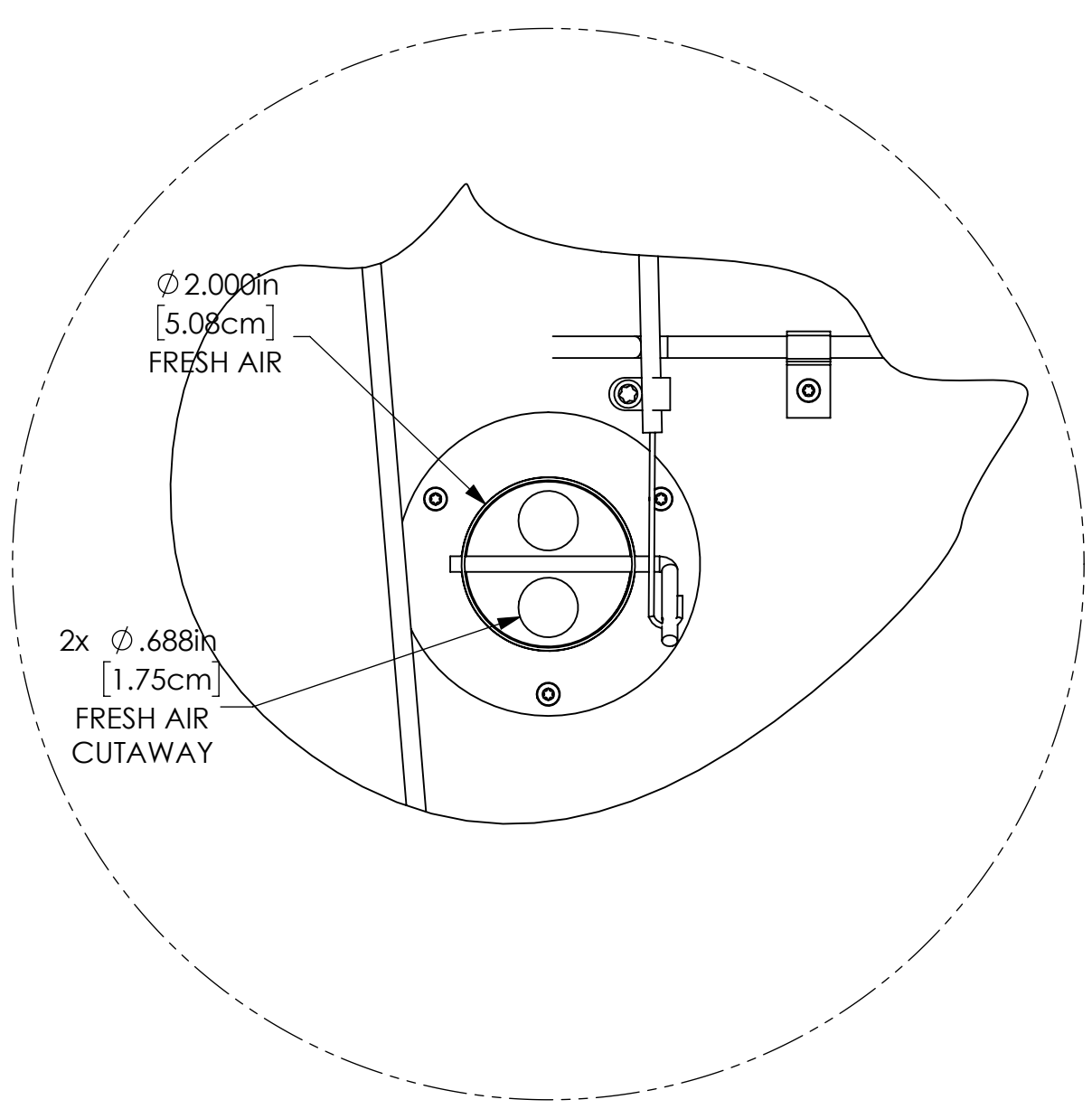
D	---	342893	C	2 of 2
SIZE	CODE	PART NUMBER	REV	SHT OF SHITS

DESIGN SPECIFICATIONS

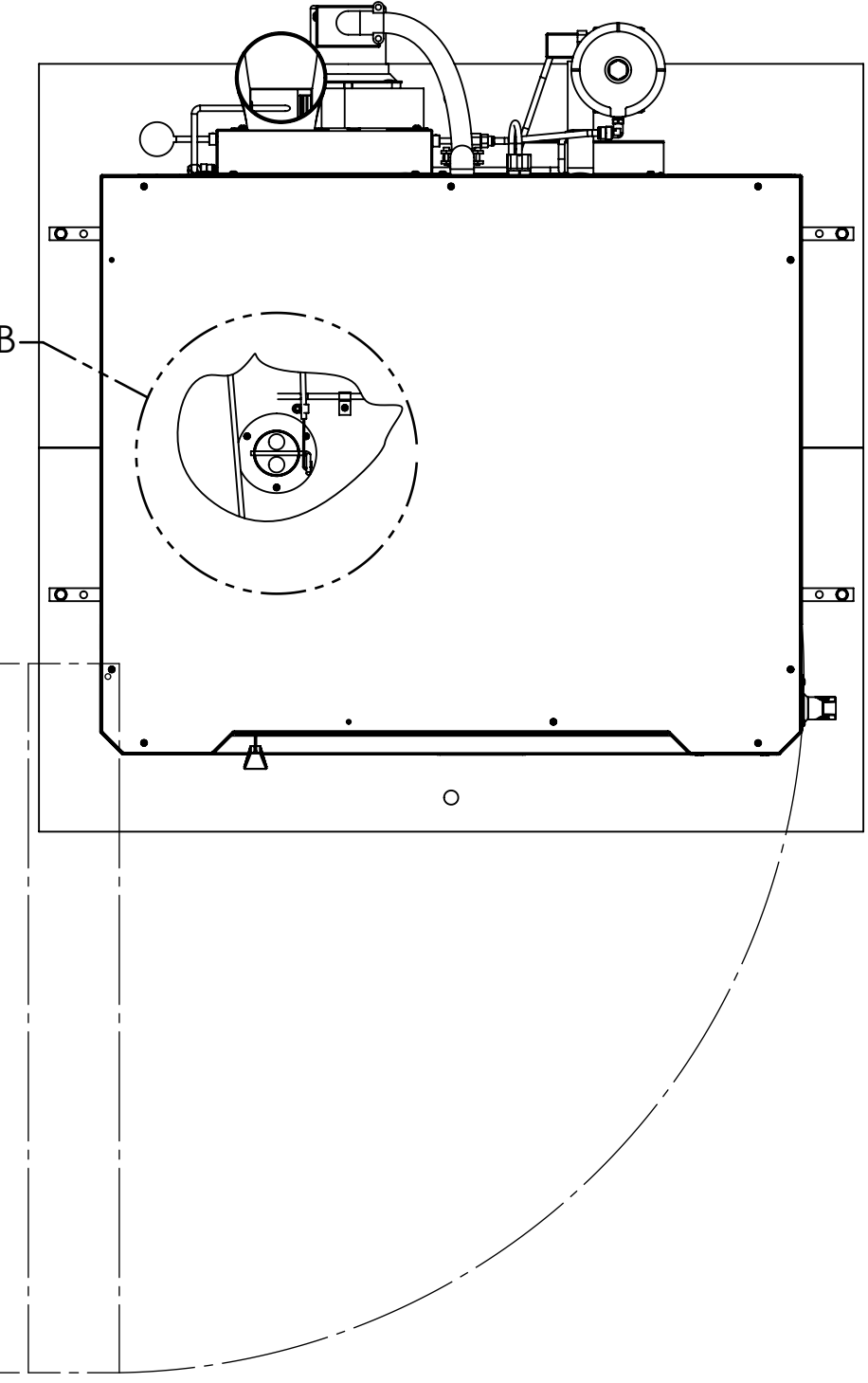
EXPLOSION VENTING AREA (sq. ft.)	
DOORS W/EXP. LATCHES	NONE
OPEN ENDS	NONE
EXPLOSION RELIEF PNLS	0.383 (SQ.FT)
INTERNAL VOL. (cu. ft.)	5.61
EXP. RELIEF RATIO	14.6
FRESH AIR ADMITTED 70° F.	13 (SCFM)
PURGE CYCLE	2.0 (MIN)
VOLATILE	0.020 GPH TOLUENE OR EQUAL @350°F MAX (177°C)
FRESH AIR	= 2.0" DIA
DUCT-CUTAWAY	0.74 (SQ.IN) 24%
BLADE SIZE	(2) 11/16" DIA HOLES
EXHAUST	= 4" DIA HALF-HOLE
DUCT-CUTAWAY	2.05 (SQ.IN) 33%
BLADE SIZE	0.88" CUTAWAY



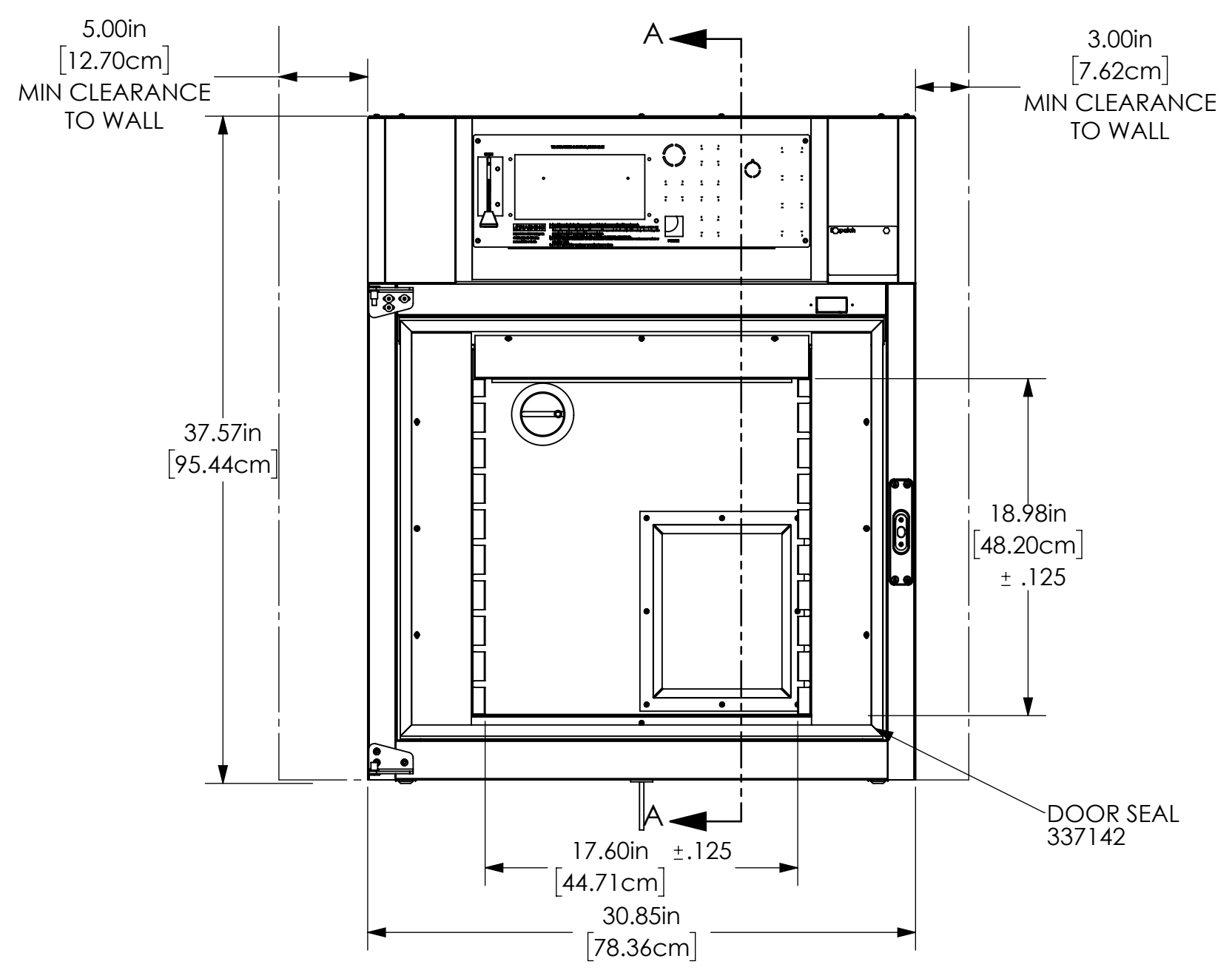
CONTROL PANEL LOCATION



DETAIL B
SCALE 1 : 2



31.17in
[79.17cm]



5.00in
[12.70cm]
MIN CLEARANCE TO WALL

3.00in
[7.62cm]
MIN CLEARANCE TO WALL

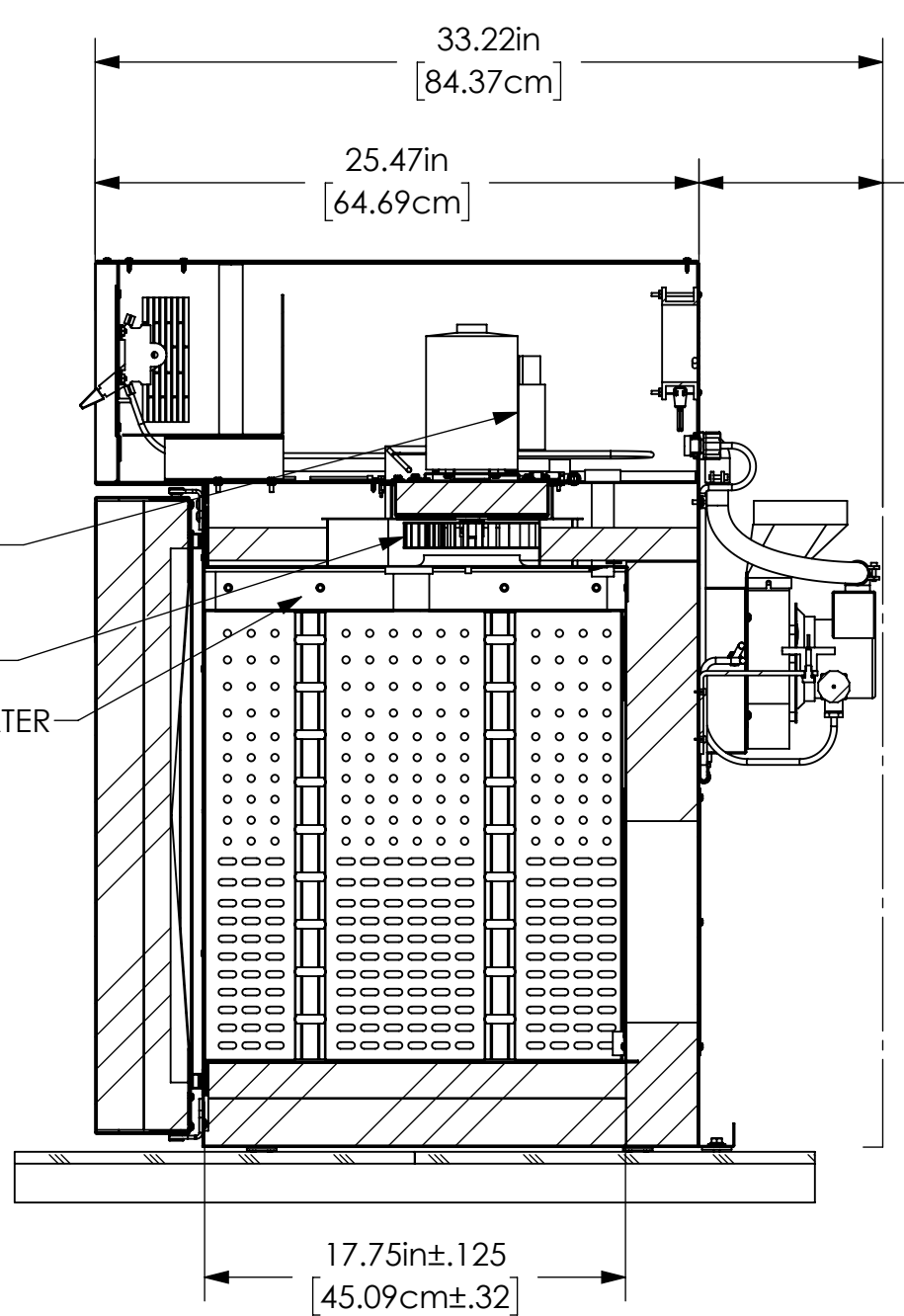
37.57in
[95.44cm]

18.98in
[48.20cm]
± .125

17.60in ±.125
[44.71cm]

30.85in
[78.36cm]

DOOR SEAL
337142



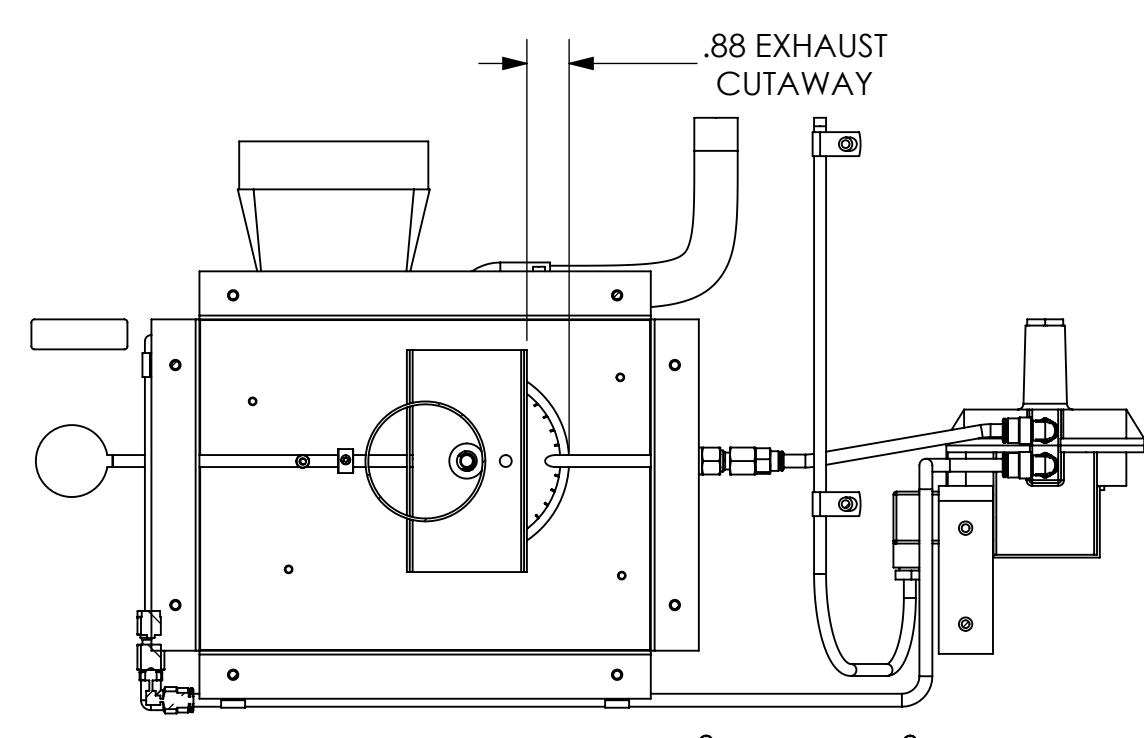
MOTOR
141828

FAN
015876

HEATER

7.75in
[19.69cm]
MIN CLEARANCE TO WALL

17.75in ±.125
[45.09cm ±.32]

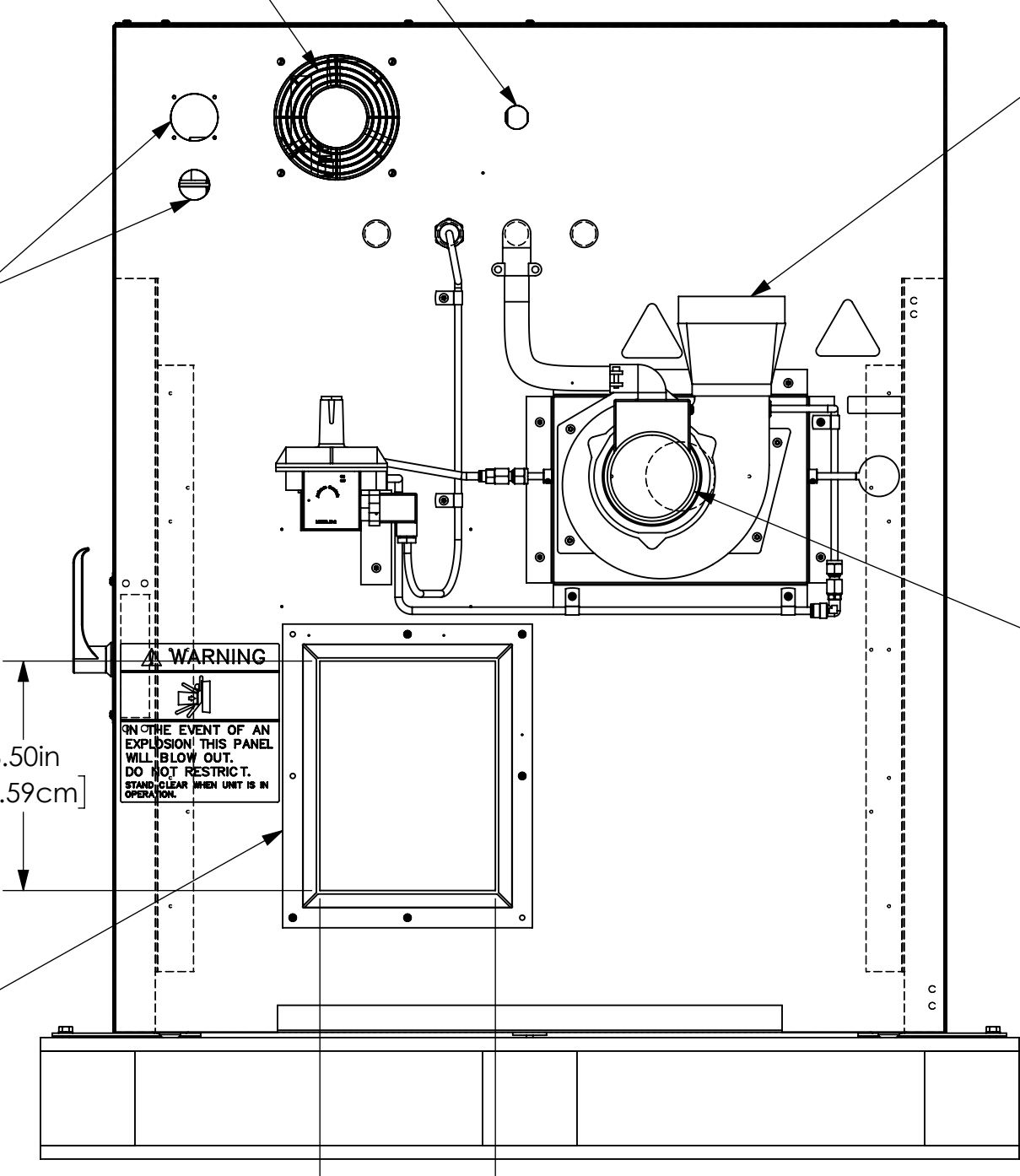


SECTION C-C
SCALE 1 : 4

POWER CABLE ACCESS

COOLING FAN INLET

MODBUS COMMUNICATIONS AND ETHERNET OPTIONS



4.00" DIA EXHAUST OUTLET
(OPTIONAL 1.75 X 2.75 W/O ADPTR)
NOTE:
STACK TEMPERATURE COULD REACH 500°F. DESIGN ROOF OPENING ACCORDINGLY. STACK BY CUSTOMER.

EXHAUST FAN
098365

8.50in
[21.59cm]

6.50in
[16.51cm]

WARNING

REV.	DATE	BY	DESCRIPTION	ECO #
E	4/9/2018	GDY	ADDED DEFAULT REAR PORT LOCATION TO PG 2	1700198
D	12/11/2017	DLM	UPDATED DIMENSIONS	1700198
C	3/16/2015	CTS	DAMPER CUTAWAY UPDATE	1500146
B	1/20/2015	GDY	UPDATE EXH CUTAWAY.	1400507

UNLESS OTHERWISE SPECIFIED DIMENSIONAL TOLERANCES
DECIMALS .XX ± .030
.XXX ± .005

THE DESIGN SHOWN ON THIS DRAWING IS THE EXCLUSIVE PROPERTY OF DESPATCH INDUSTRIES. IT IS SUBMITTED WITH THE UNDERSTANDING THAT IT IS NOT TO BE USED FOR ANY PURPOSE OR ITS CONTENTS DISCLOSED WITHOUT THE WRITTEN CONSENT OF DESPATCH INDUSTRIES.

COPYRIGHT ©2014 DESPATCH INDUSTRIES

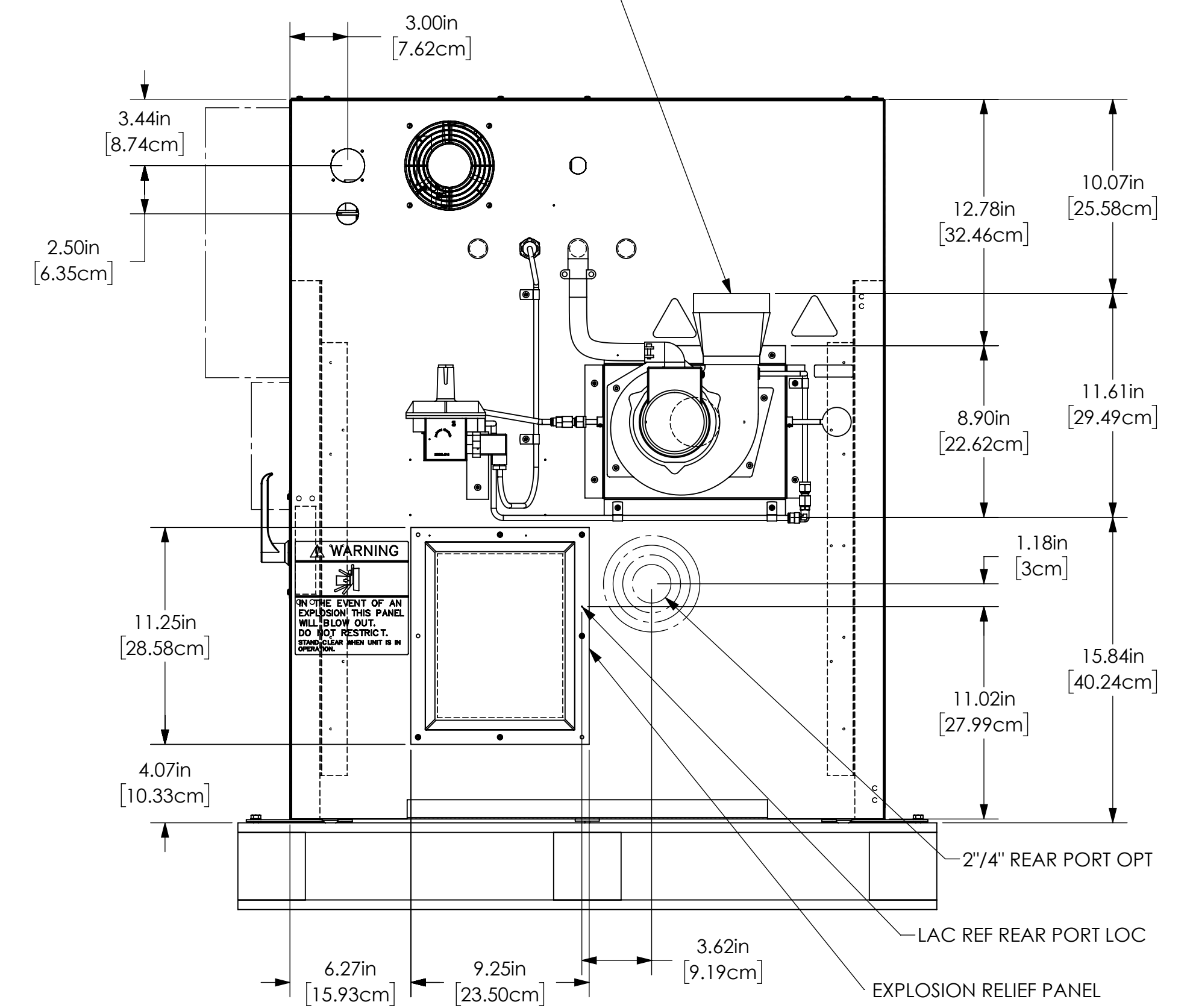
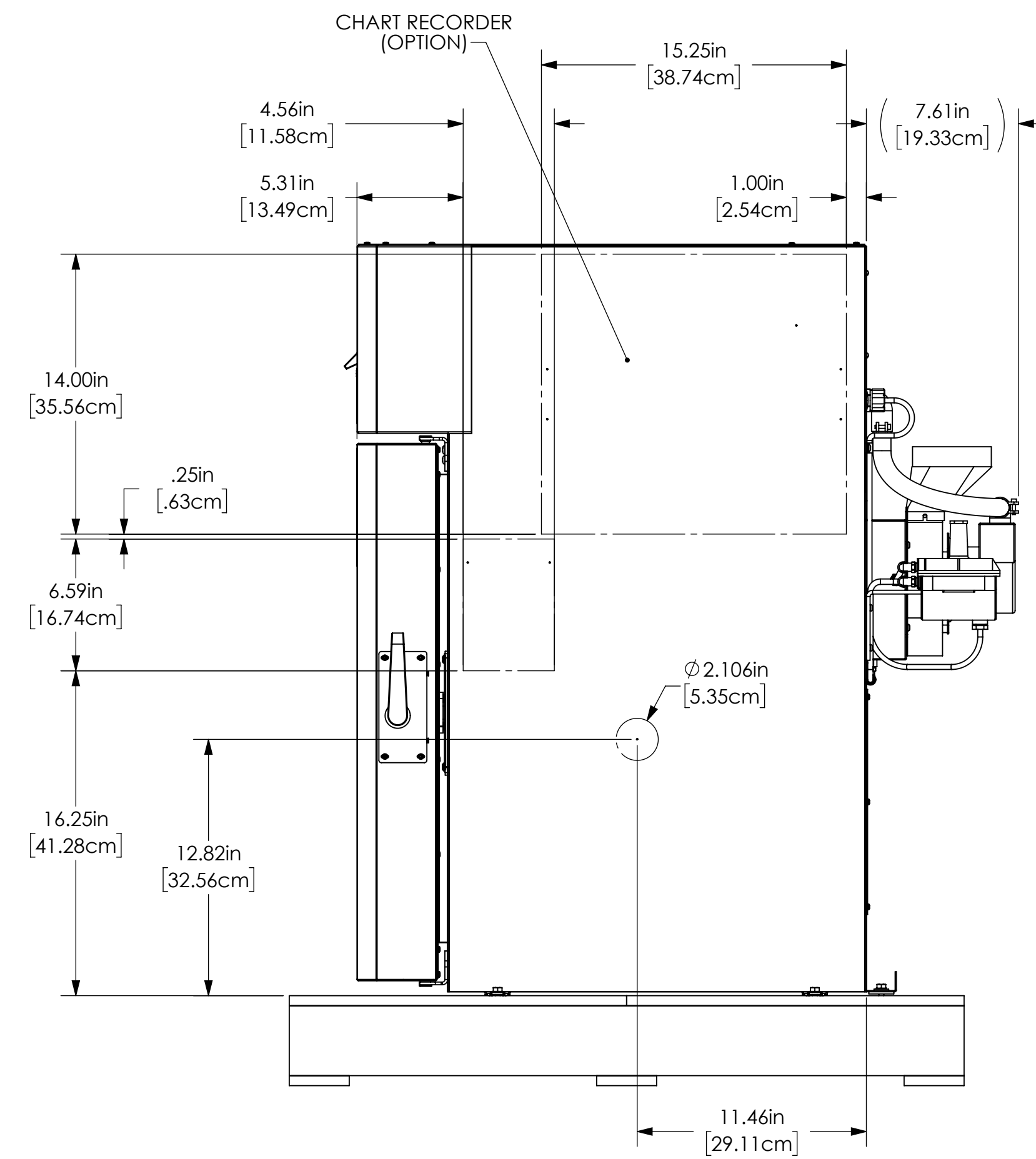
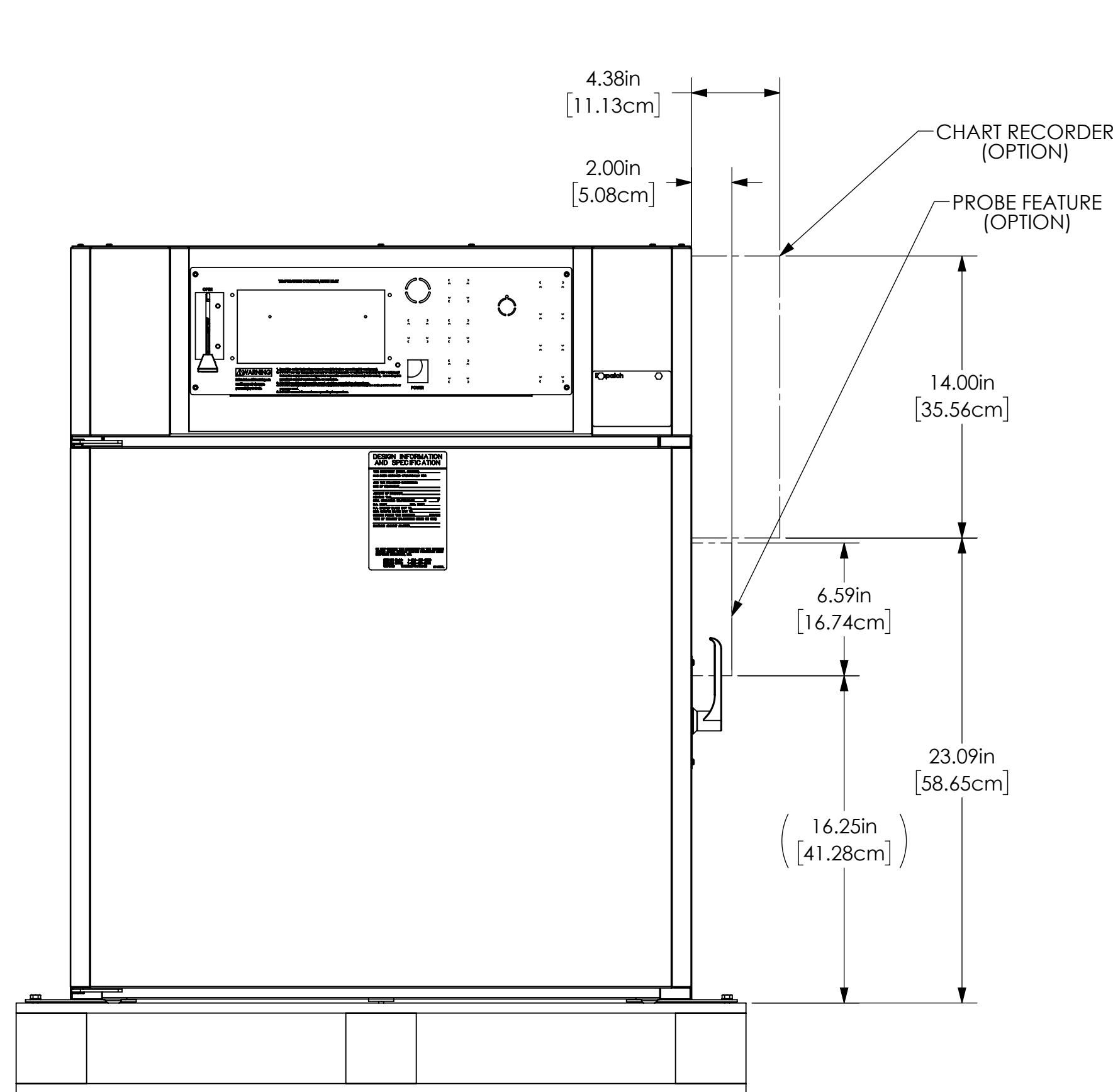
DRN	MIB	SCALE	1:8
CK'D	GDY	DATE	12/08/2014
APP	GDY	DESIGN NO.	342810

Despatch
MINNEAPOLIS, MN LAKEVILLE, MN
LFC1-38-8 SALES PROPOSAL (LAC1-38-8-CL-A)

D 346076 E 1 of 2
SIZE CODE PART NUMBER REV SHT OF SHTS

OPTIONAL ASSEMBLIES

4.00" DIA EXHAUST OUTLET
(OPTIONAL 1.75 X 2.75 W/O ADPTR)
NOTE:
STACK TEMPERATURE COULD
REACH 500°F. DESIGN
ROOF OPENING ACCORDINGLY.
STACK BY CUSTOMER.



DR'N	MIB	SCALE	1:8
CK'D	GDY	DATE	12/08/2014
APP	GDY	DESIGN NO.	342810

Despatch
MINNEAPOLIS, MN LAKEVILLE, MN
LFC1-38-8 SALES PROPOSAL (LAC1-38-8-CL-A)

UNLESS OTHERWISE SPECIFIED DIMENSIONAL TOLERANCES
DECIMALS .XX ± .030
XXX ± .005
THE DESIGN SHOWN ON THIS DRAWING IS THE EXCLUSIVE PROPERTY OF DESPATCH INDUSTRIES. IT IS SUBMITTED WITH THE UNDERSTANDING THAT IT IS NOT TO BE USED FOR ANY PURPOSE OR ITS CONTENTS DISCLOSED WITHOUT THE WRITTEN CONSENT OF DESPATCH INDUSTRIES.
COPYRIGHT ©2014 DESPATCH INDUSTRIES

D	---	346076	E	2 of 2
SIZE	CODE	PART NUMBER	REV	SHT OF SHITS